



**RAILINGCOMPANY<sup>®</sup>**  
**MADE IN BELGIUM**

 **RAILINGCOMPANY<sup>®</sup>**  
**MADE IN BELGIUM**





**RAILINGCOMPANY** is founded on a passion for aluminium profiles, glass & esthetics.

Our objective is to create profiles, systems that are very easy to install without losing any esthetic benefit.

In an era where quality & traceability of products is becoming more and more important we decided to extrude our profiles in Belgium. You are buying 'Made in Belgium' and you may surely expect quality.

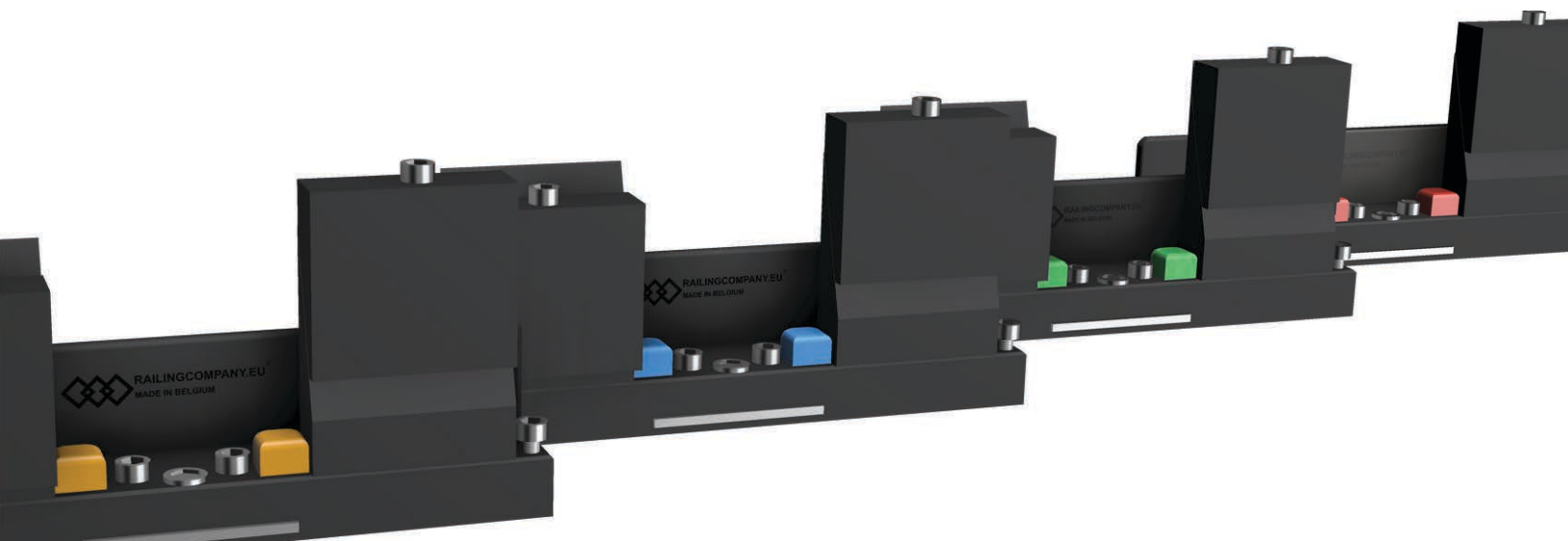
We present 3 types of profiles to combine with glass:

- DIAMOND LINE
- CLEAR VIEW LINE
- WINDOW GUARD

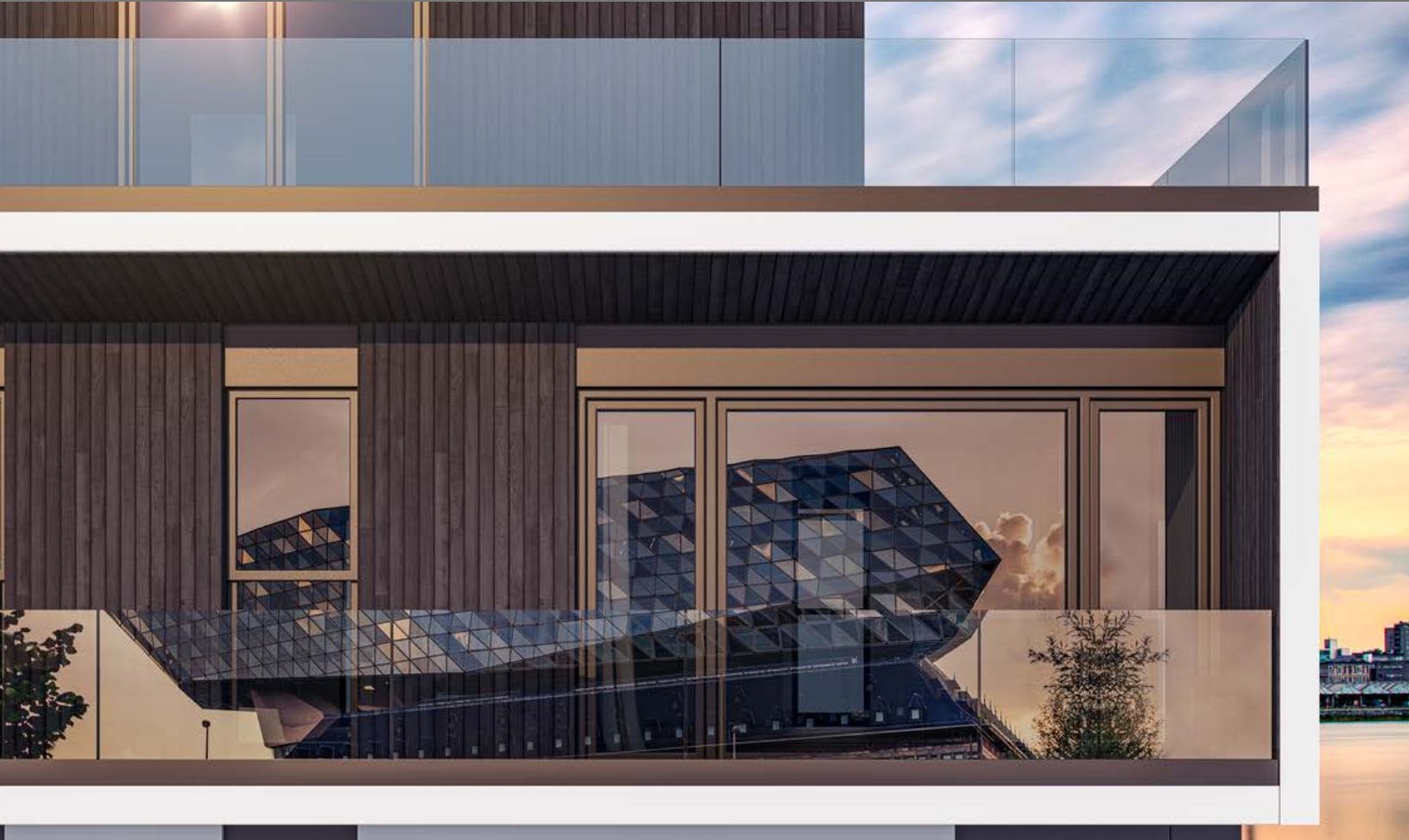
During the development of our products we start from the point of view of the installers of our products. According to their needs and expectations we try to obtain the esthetic ideal by being very cost effective on installation.

We are very proud to present our innovative & revolutionary **LOB** ( Line Out Box) that gives a complete answer to the expectations and cost effective installation of glass railings in our **DIAMOND LINE** range.

### **RAILINGCOMPANY-Team**



# DIAMOND LINE



# WINDOW GUARD



# CLEAR VIEW LINE





**DIAMOND LINE**



# FGR-1000

**PROFILES FOR  
FULL GLASS RAILINGS**





# FGR-LOB LINE OUT BOX

## WHY ?

FULL GLASS RAILINGS are an esthetic pleasure but can be the nightmare of the installers.

The problem is that too much tolerances must be taken into account ;

1. tolerance on the ground/support ;
  - a. concrete or steel
  - b. installation on an aluminium finishing
  - c. piercing of the roofing layer

2. tolerances on the glass
3. wind loads & gusts of wind

All those elements lead to a high level of difficulty to deliver a perfect glass railing.

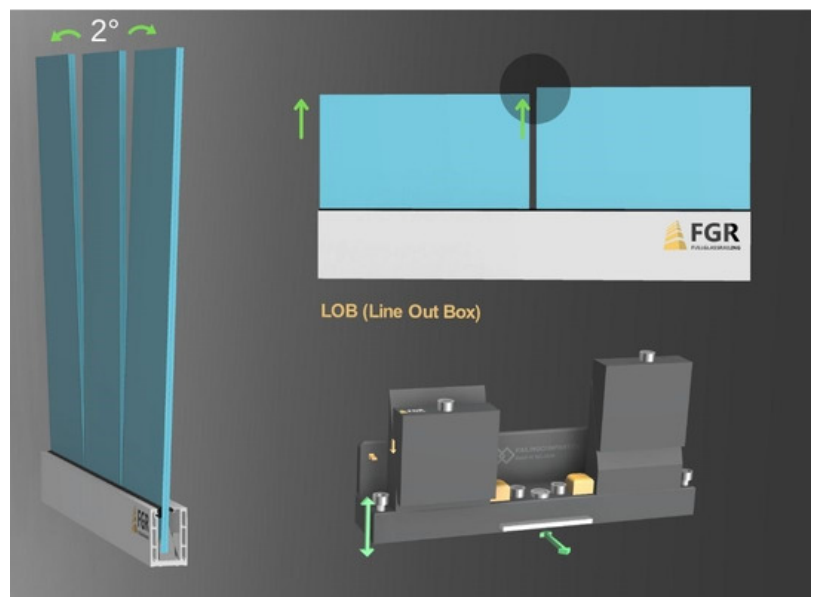
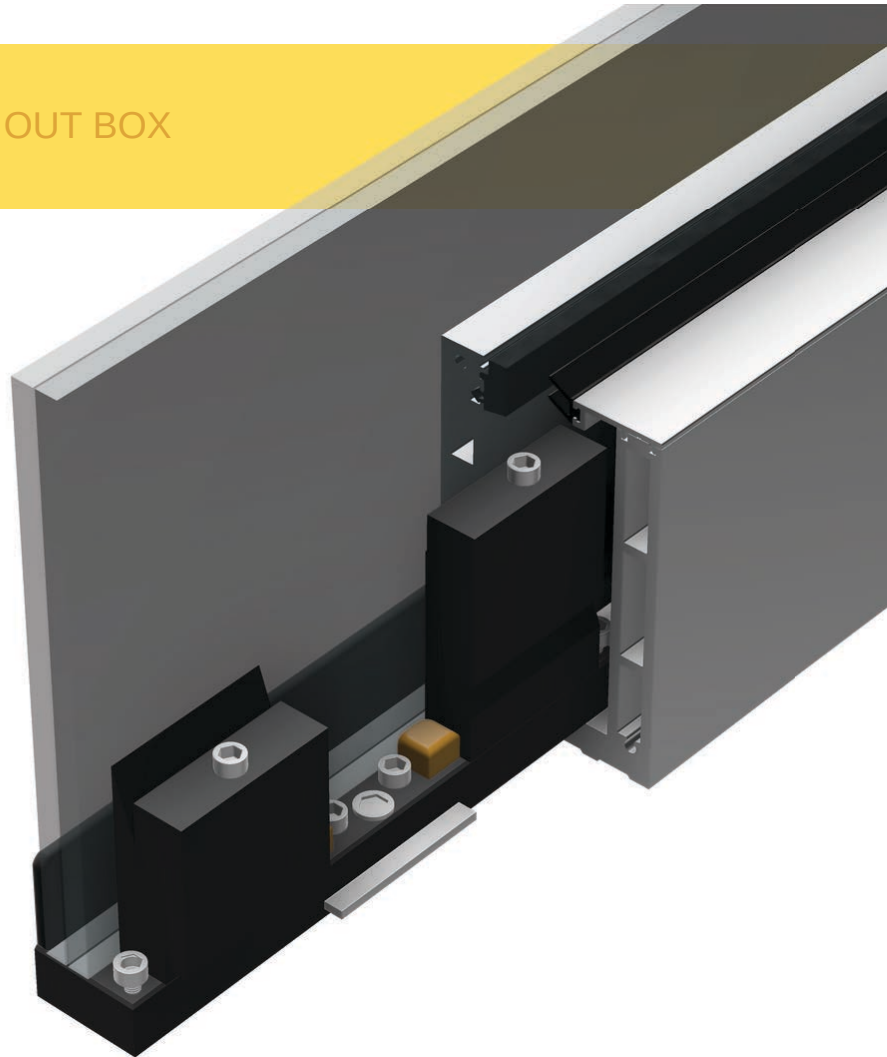
You have to be able to line out vertically and horizontally without having to take out the glass from the profile.

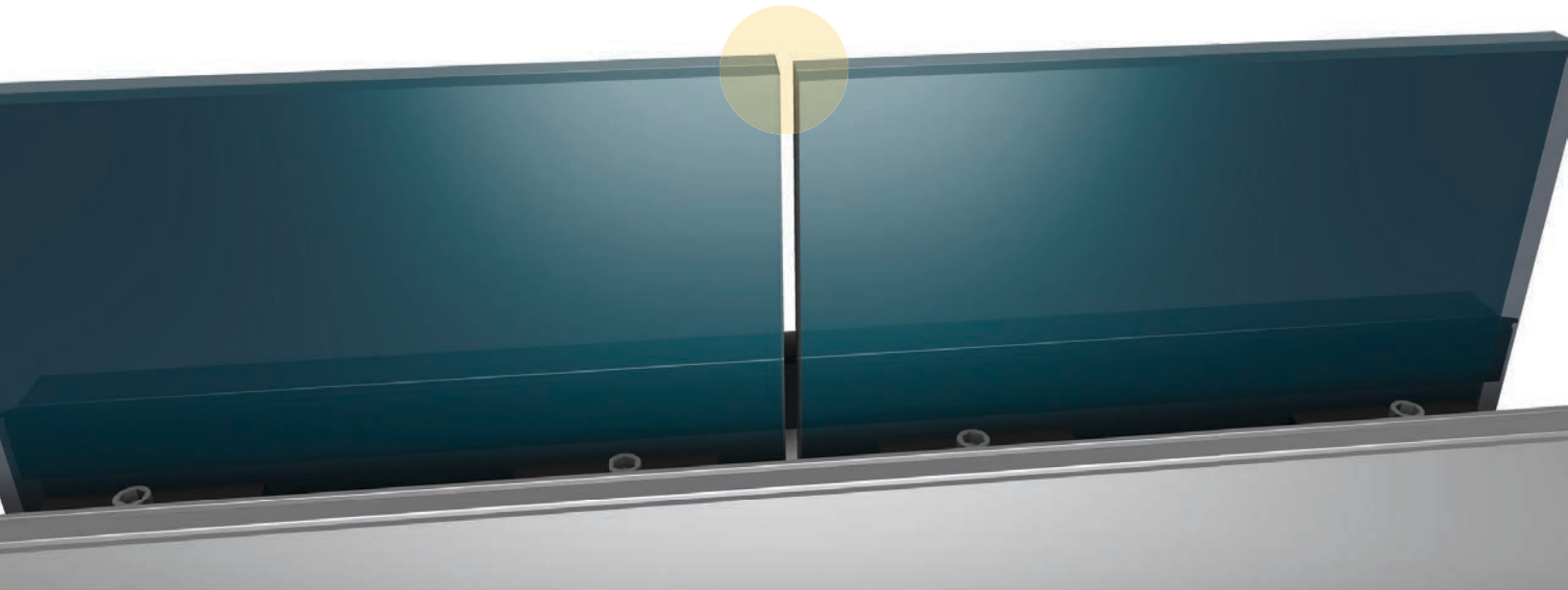
If possible without having to freeze the glass position with a wedge.

A wedge can come off its position due to the vibrations of the wind on the glass. In this situation you'll have to go back to your customer to secure the glass railing. Going back is losing time !

Having an answer on all those requirements would be the solution for the installers.

May I present you, the **LOB** !





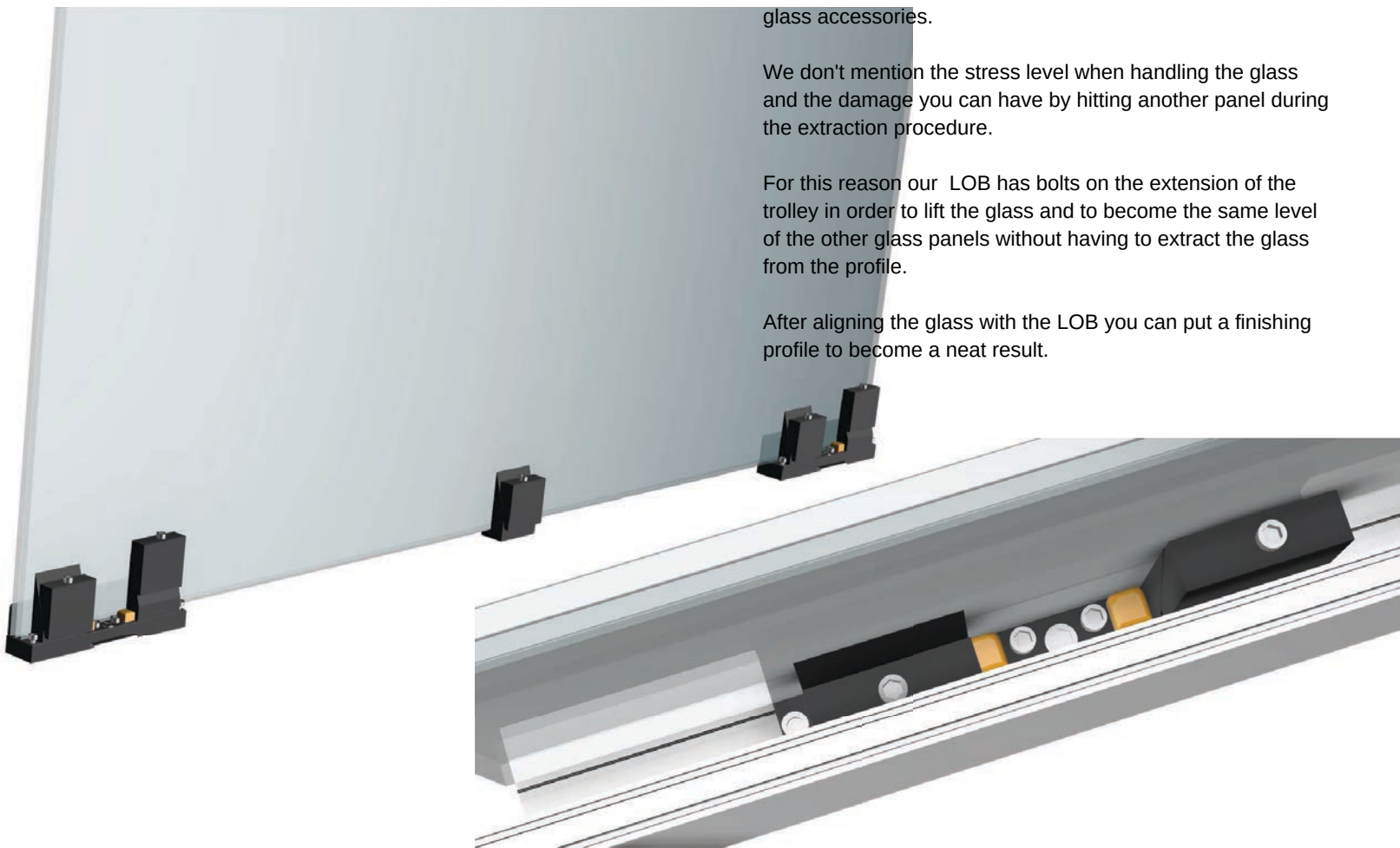
### PREVENT BACK PAIN !

Differences in heights often are a source of frustration, an expensive loss of time and last but not least a sore back due the lifting of heavy glass panels to add 1,2 of 3mm plastic glass accessories.

We don't mention the stress level when handling the glass and the damage you can have by hitting another panel during the extraction procedure.

For this reason our LOB has bolts on the extension of the trolley in order to lift the glass and to become the same level of the other glass panels without having to extract the glass from the profile.

After aligning the glass with the LOB you can put a finishing profile to become a neat result.



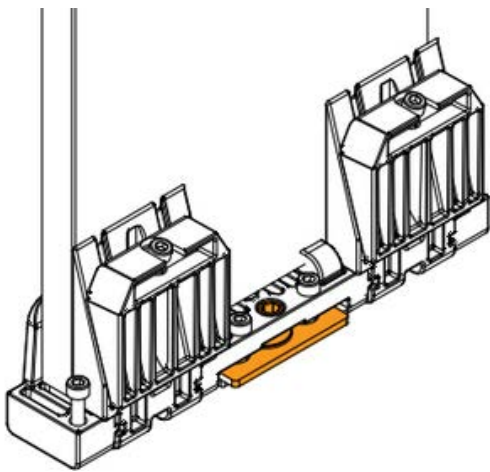


# LOB LINE OUT BOX

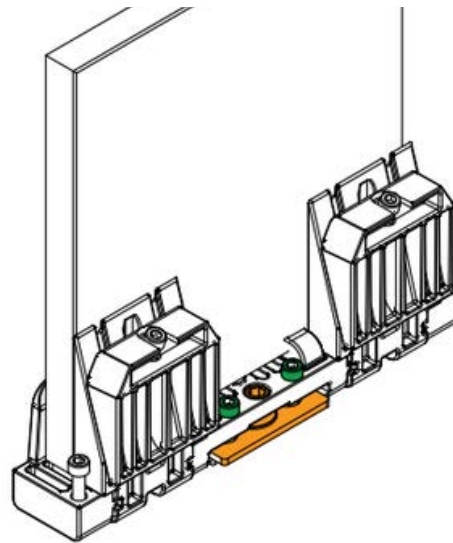
## HOW DOES IT WORK ?

To begin with, all the work & outlining of the glass railing is done on the inside of the balcony. No clips or actions to be added on the outside of the balcony.

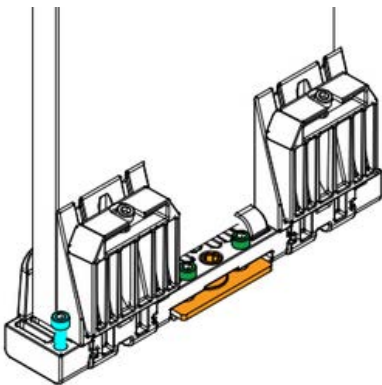
We herewith avoid costs of aerial platforms & scaffolders.



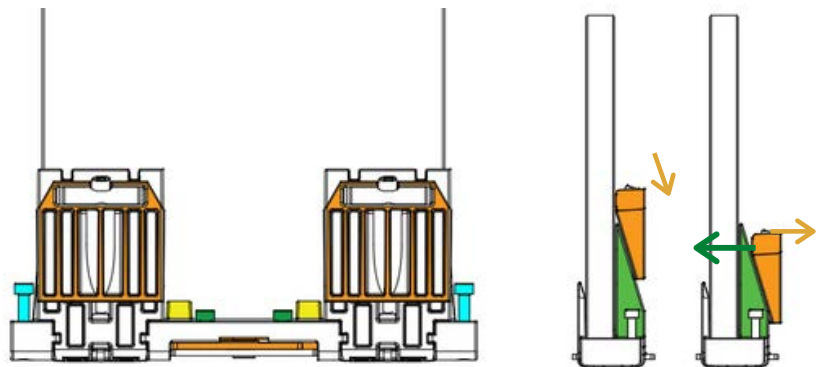
1. The orange plate has the inner dimensions of our profiles which does not allow the plate to move into the profile but by turning the upper bolt the **LOB** moves the glass from front to rear.



2. Once the right position found, by using the green bolts, the angle of the glass will be secured. A plate underneath the orange plate will be lifted so the orange plate can't be moved any more.



3. Differences of height between the glass panels can easily be compensated by using the blue bolts. You don't have to take out the glass from the channel any more.



4. Securing the glass is done by our innovative clamps, by turning the screw on top of the clamp, the upper part will get down pushing on the inside of the aluminium profiles and pushing the underneath part of the clamp to the glass.

By doing this, the glass will perfectly be secured in its position.



Our **LOB** is available for glass thickness ;

1. **LOB-88.2**
2. **LOB-88.4**
3. **LOB-1010.2**
4. **LOB-1010.4**



**LOB-MID**  
Mid glass support

Our **LOB** & **LOB-MID** are sold by pieces.

Tested on glass panels of 1250mm width by 1200mm height with **2 X LOB + 1 X LOB-MID**

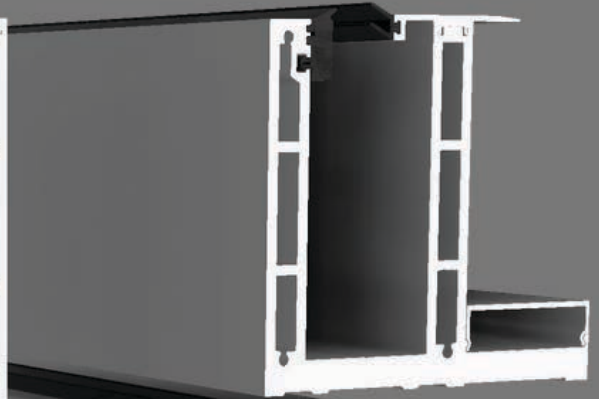
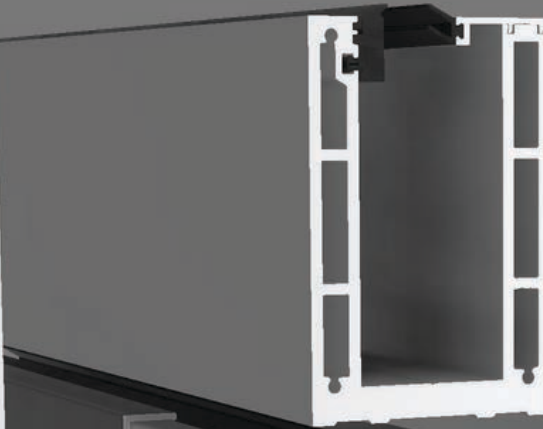
# DIAMOND LINE



FGR-1100-T

FGR-1300-T

FGR-1302-F



FGR-1301-S

FGR-1303-Y

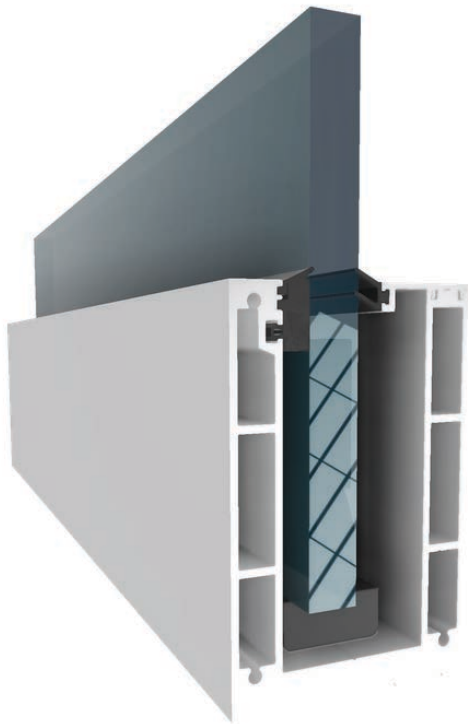


# FGR-1100

Our profile **FGR-1100-T** is a Top Mount profile to be used inside your home as well as outside on the balcony.

It is made for residential use and can bear loads up to 1kN/m with 88.2/4 till 1010.2/4.

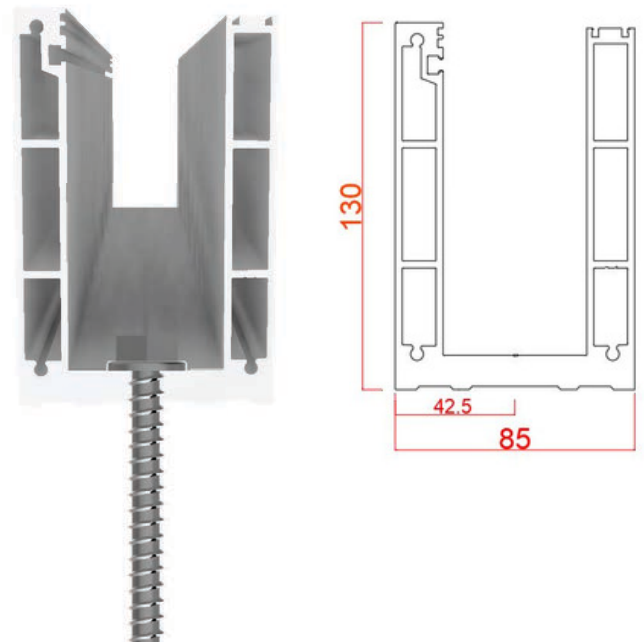
Price/quality the best profile for residential projects !!!



## FGR-1100-T

### ADVANTAGES

- Only 3 anchor points/m or every **375mm**
- Anchoring possible with concrete anchors or chemical anchoring of threaded rods.
- Compatible with our patented **LOB** (Line Out Box)
- Compatible with our finishing profiles
- Glas thickness from 16,76 - 21,52mm
- Draining holes on each profile
- Profiles can be joined for an easy installation with our stainless steel connecting pins
- Neat finish



Our profiles **FGR-1100-T** can perfectly be anchored with an M12 concrete anchor **FGR-M12/110 ZL**.

Quick installation with our environmentally friendly **P2000 Zinc flake coating** as perfect alternative for stainless steel.





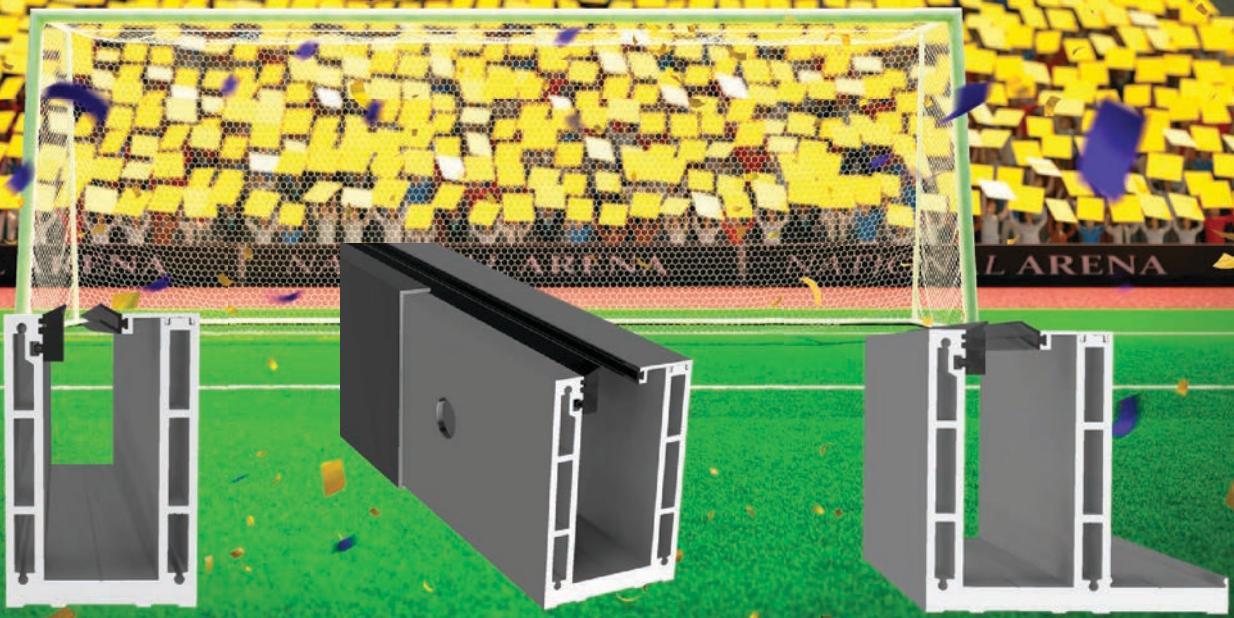




# FGR 1300-RANGE

Our profiles **FGR-1300-T**, **FGR-1301-S** & **FGR-1302-F** have been tested withstanding loads of **\*360kg/m during 10 minutes** to be ready for use in football stadiums.

- Only **3 anchoring points/m** or every **375mm** for the Top Mount versions
- Anchoring possible with **M12** concrete anchors or chemical anchoring of threaded rods
- Alignment of the glass panels are possible with our patented **LOB (Line Out Box)**
- Compatible with all our finishing profiles.



**FGR-1300-T**

**FGR-1301-S**

**FGR-1302-F**



# FGR-1300

The **FGR-1300** Range is our Heavy Duty Range.

Bearing loads up to 3.6kN/m with glass 1010.4 in combination with a stiff pvb, these profiles are perfect for the more demanding uses with wind loads.

We propose following profiles :

- FGR-1300-T
- FGR-1301-S
- FGR-1302-F
- FGR-1303-Y

All our **FGR-1300** range can be used with our **LOB** (Line Out Box) with glass thickness 88.2/4 till 1010.2/4

## FGR-1300 RANGE

### ADVANTAGES

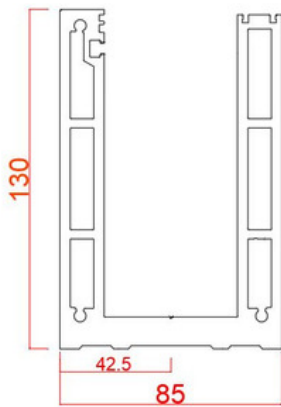
- Only **3** anchor points/m or every **375mm** for the **Top Mounts**
- Only **4** anchor points/m or every **250mm** for the **Side Mounts**
- Anchoring possible with concrete anchors or chemical anchoring of threaded rods.
- Compatible with our patented **LOB** (Line Out Box)
- Compatible with our finishing profiles
- Glas thickness from 16,76 - 21,52mm
- Draining holes on each profile
- Profiles can be joined for an easy installation with our stainless steel connecting pins
- Neat finish



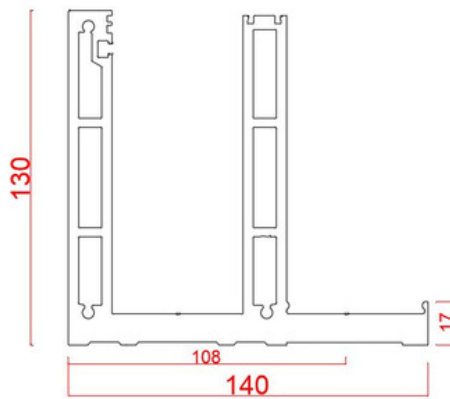
# DIMENSIONS

## FGR-1300 RANGE

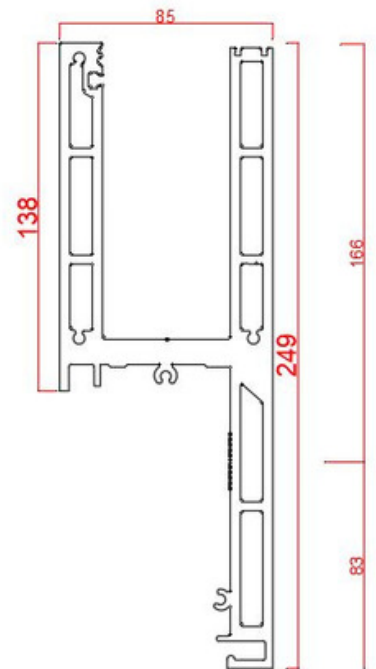
FGR-1300-T



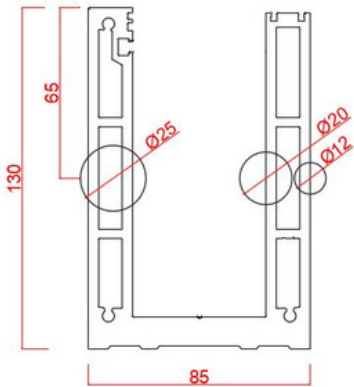
FGR-1302-F



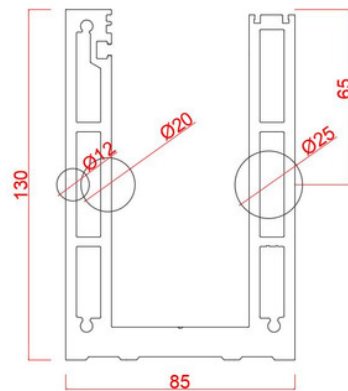
FGR-1303-Y



FGR-1301-S



FGR-1301-S-INV



# FGR-1100-T & FGR-1300-T

Profiles & acc



**FGR-1100-T**  
1kN/m profile  
3m



**FGR-1300-T**  
3kN/m profile  
3m



**LOB-MID**  
Middle glass support  
Pc



**FGR-LOB**  
Line Out Box for 88,2-88,4-1010,2-1010,4  
Pc



**FGR-FF-15**  
Front Finish profile 15mm  
3m



**FGR-BF-15**  
Back Finish profile 15mm  
3m



**FGR-FF-10**  
Front Finish profile 10mm  
3m



**FGR-1077**  
Outside structural gasket  
50m



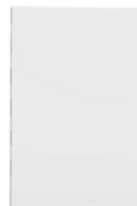
**FGR-1078**  
Inside finishing gasket  
100m



**FGR-BF-10**  
Back Finish profile 10mm  
3m



**FGR-FF-05**  
Front Finish profile 5mm  
3m



**FGR-1100/1300-T-CC**  
Closed Cover  
Pc



**FGR-1301-IX**  
Stainless steel stiff  
Pc



**FGR-BF-05**  
Back Finish profile 5mm  
3m



**FGR-FFC-05**  
Front Finish Cover  
profile 5mm  
3m



**FGR-FC**  
Floor Connect profile  
3m



**FGR-BFC-05**  
Back Finish Cover profile 5mm  
3m



**FGR-1100/1300-T-OC**  
OUTSIDE CORNER  
Pc

**FGR-1100/1300-T-IC**  
INSIDE CORNER  
Pc



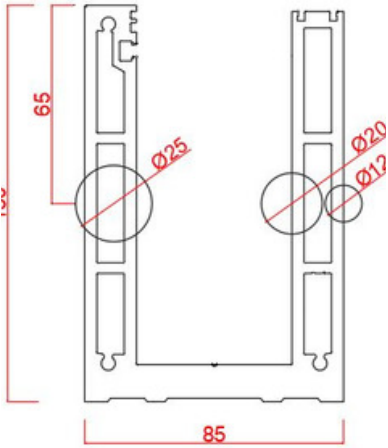
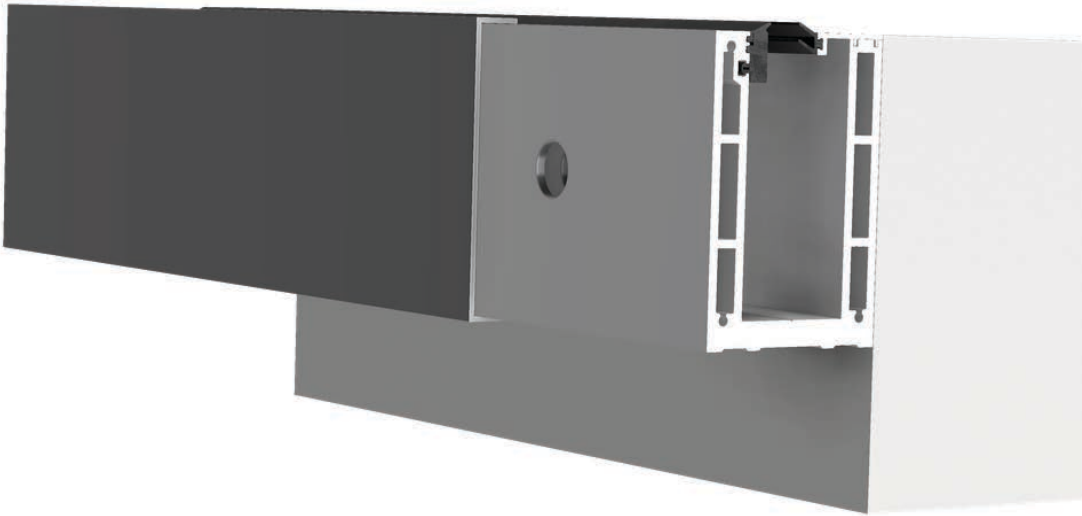
**FGR-PC**  
Profile Cover  
3m



**FGR-M12-110-ZL**  
1box - 25pcs



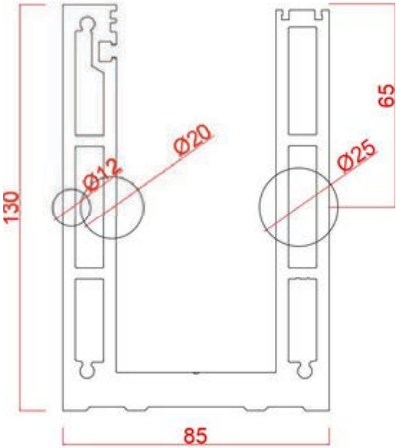
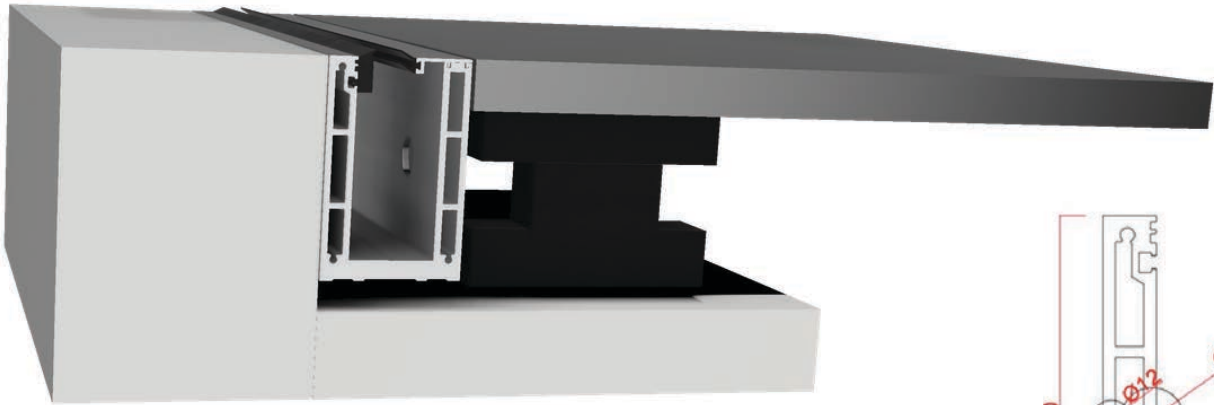
# FGR-1301-S



FGR-1301-S for a Side Mount on the outside of the balcony.

FGR-1301-S can be finished with several finishing profiles or our FGR-1301-S-FC (Front Cover) to cover the drilling holes.

# FGR-1301-S-INV



FGR-1301-S-INV stands for inverse, when the Side Mount must be anchored on the inside of the balcony.

# FGR-1301-S

Profiles & acc



**FGR-1301-S-FC**  
Front Cover profile  
3m



**FGR-1301-S**  
3kN/m profile  
3m



**LOB-MID**  
Middle glass support  
Pc



**FGR-LOB**  
Line Out Box for 88.2-88.4-1010.2-1010.4  
Pc



**FGR-FF-15**  
Front Finish profile 15mm  
3m



**FGR-BF-15**  
Back Finish profile 15mm  
3m



**FGR-FF-10**  
Front Finish profile 10mm  
3m



**FGR-1077**  
Outside structural gasket  
50m



**FGR-1078**  
Inside finishing gasket  
100m



**FGR-BF-10**  
Back Finish profile 10mm  
3m



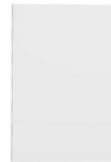
**FGR-FF-05**  
Front Finish profile 5mm  
3m



**FGR-BF-05**  
Back Finish profile 5mm  
3m



**FGR-FFC-05**  
Front Finish Cover  
profile 5mm  
3m



**FGR-1301-S-CC**  
Closed Cover  
Pc



**FGR-1301-IX**  
Stainless steel stiff  
Pc



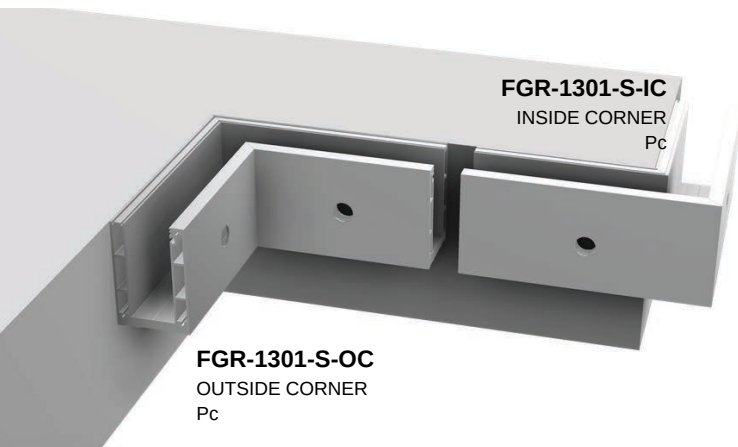
**FGR-FC**  
Floor Connect profile  
3m



**FGR-BFC-05**  
Back Finish Cover profile 5mm  
3m



**FGR-PC**  
Profile Cover  
3m



**FGR-1301-S-IC**  
INSIDE CORNER  
Pc

**FGR-1301-S-OC**  
OUTSIDE CORNER  
Pc

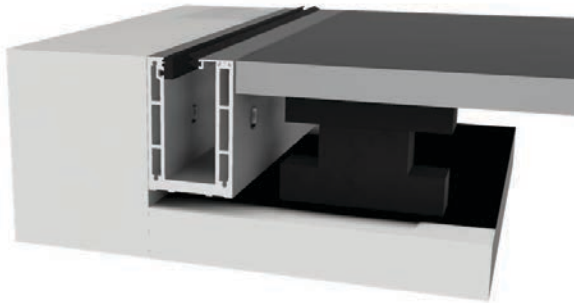
# FGR-1301-S-INV

Profiles & acc



## FGR-1301-S-INV

3kN/m profile  
3m



## FGR-LOB

Line Out Box for 88,2-88,4-1010,2-1010,4  
Pc



**LOB-MID**  
Middle glass support  
Pc



## FGR-FF-15

Front Finish profile 15mm  
3m



## FGR-BF-15

Back Finish profile 15mm  
3m



## FGR-FF-10

Front Finish profile 10mm  
3m



## FGR-1077

Outside structural gasket  
50m



## FGR-1078

Inside finishing gasket  
100m



## FGR-BF-10

Back Finish profile 10mm  
3m



## FGR-FF-05

Front Finish profile 5mm  
3m



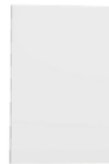
## FGR-BF-05

Back Finish profile 5mm  
3m



## FGR-FFC-05

Front Finish Cover profile 5mm  
3m



## FGR-1301-CC

Closed Cover  
Pc



## FGR-1301-IX

Stainless steel stiff  
Pc



## FGR-FC

Floor Connect profile  
3m

## FGR-1301-S-INV-IC

INSIDE CORNER  
Pc



## FGR-BFC-05

Back Finish Cover profile 5mm  
3m



## FGR-PC

Profile Cover  
3m

## FGR-1301-S-INV-OC

OUTSIDE CORNER  
Pc





**RAILINGCOMPANY®**  
MADE IN BELGIUM



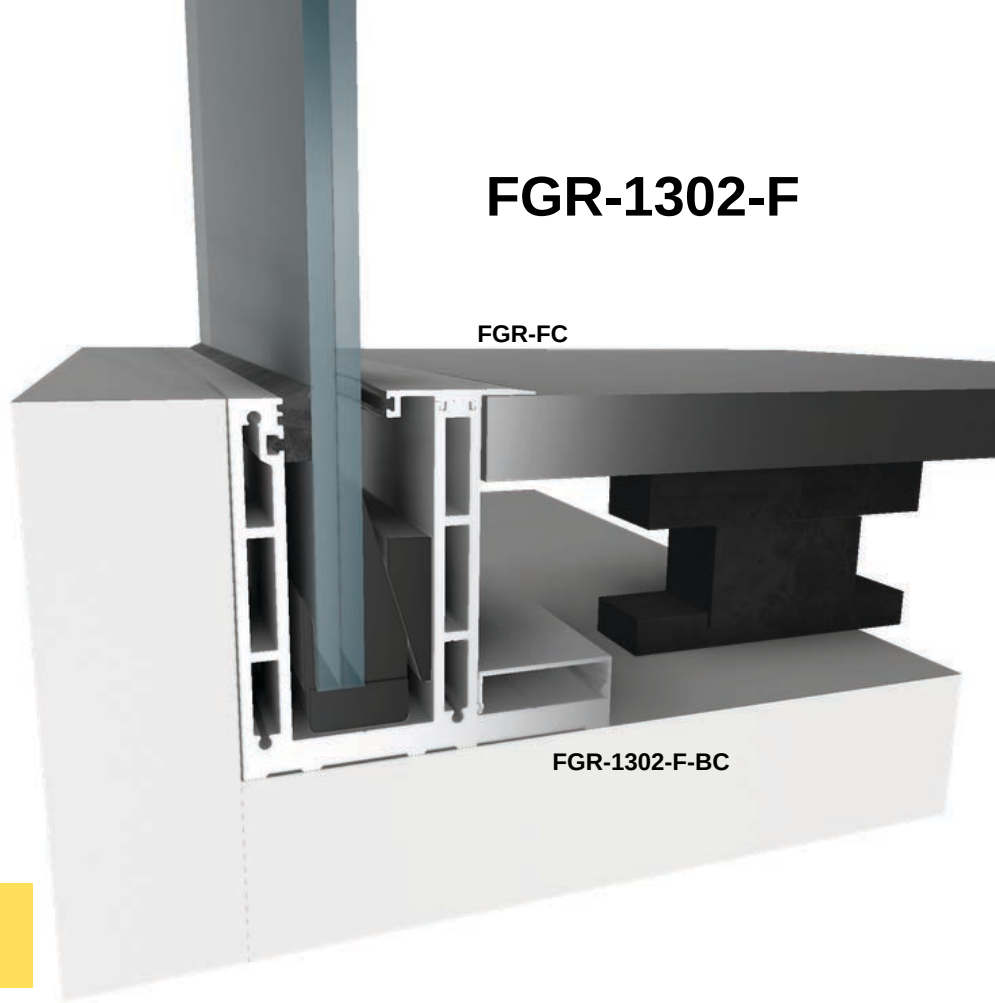




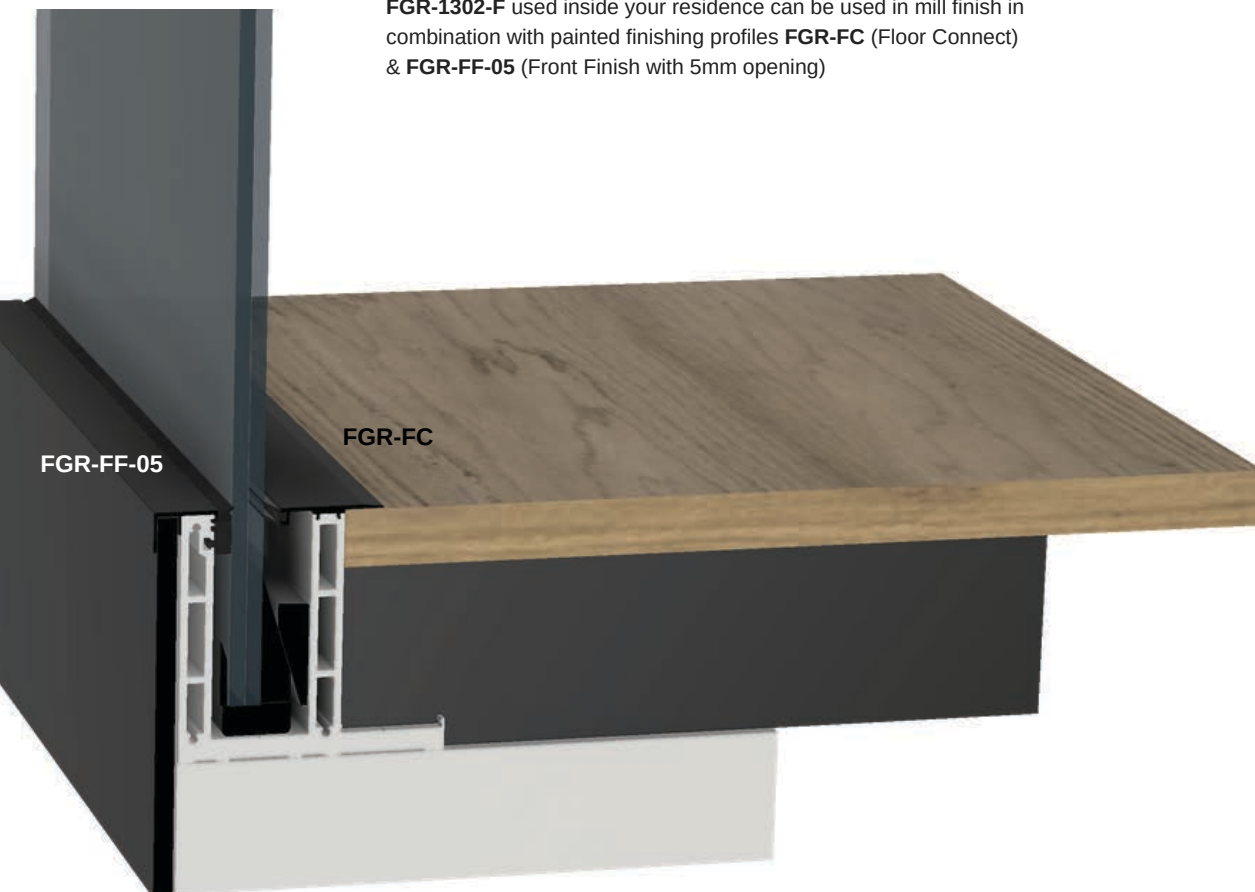
## FGR-1302-F

**FGR-1302-F** can be used when the thickness of the upside of the balcony is too narrow for a Top or Side Mount installation on top or on side of the upside of the balcony.

**FGR-1302-F** can be combined with our **FGR-FC** (Floor Connect) or **FGR-1302-F-BC** (Back Cover)



**FGR-1302-F** used inside your residence can be used in mill finish in combination with painted finishing profiles **FGR-FC** (Floor Connect) & **FGR-FF-05** (Front Finish with 5mm opening)





Depending on the anchoring situation it can be more appropriate to use the **FGR-1302-F** instead of a **FGR-1300-T** profile if the profile has to be drilled too close to the edge of the balcony.

To avoid seeing the anchoring points we can provide you our finishing profile **FGR-1302-F-BC** (Back cover) for a neat finish.

## FGR-1302-F



**FGR-1302-F-BC**  
Back Cover  
3m

# FGR-1302-F

Profiles & acc



**FGR-1302-F**  
3kN/m profile  
3m



**FGR-1302-F-BC**  
Back Cover  
profil/profil  
3m



**LOB-MID**  
Middle glass support  
Pc



**FGR-LOB**  
Line Out Box for 88,2-88,4-1010,2-1010,4  
Pc



**FGR-FF-15**  
Front Finish profile 15mm  
3m



**FGR-BF-15**  
Back Finish profile 15mm  
3m



**FGR-FF-10**  
Front Finish profile 10mm  
3m



**FGR-1077**  
Outside structural gasket  
50m



**FGR-1078**  
Inside finishing gasket  
100m



**FGR-BF-10**  
Back Finish profile 10mm  
3m



**FGR-FF-05**  
Front Finish profile 5mm  
3m



**FGR-1302-F-CC**  
Closed Cover  
Pc



**FGR-1301-IX**  
Stainless steel stiff  
Pc



**FGR-BF-05**  
Back Finish profile 5mm  
3m



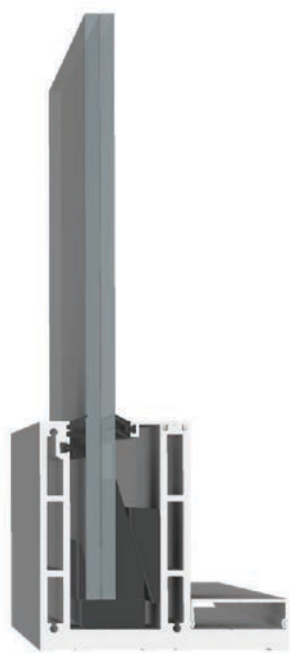
**FGR-FFC-05**  
Front Finish Cover profile 5mm  
3m



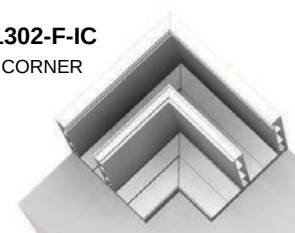
**FGR-FC**  
Floor Connect profile  
3m



**FGR-BFC-05**  
Back Finish Cover profile 5mm  
3m



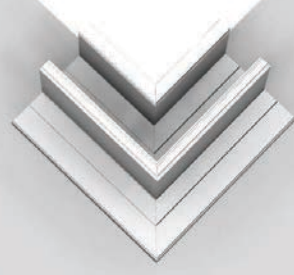
**FGR-M12-110-ZL**



**FGR-1302-F-IC**  
INSIDE CORNER  
Pc



**FGR-PC**  
Profile Cover  
3m



**FGR-1302-F-OC**  
OUTSIDE CORNER  
Pc

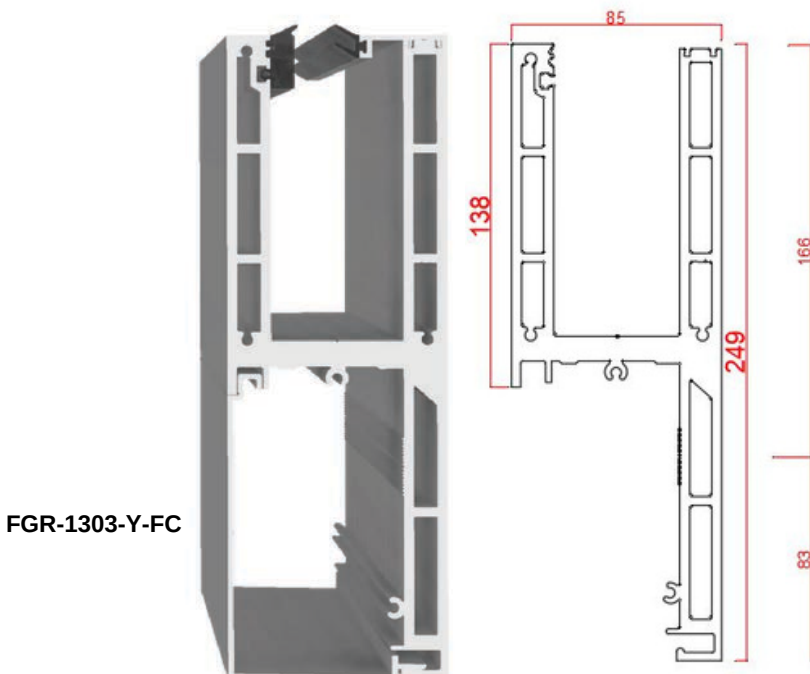
# FGR-1300

FGR-1303-Y to be used inside as well as outside your residence.

The perfect profile for glass railings along the staircase and for situation when the anchoring should be done lower than the FGR-1301-S profiles.

Finishing possible with FGR-1303-Y-FC ( Frontal Cover)

# FGR-1303-Y

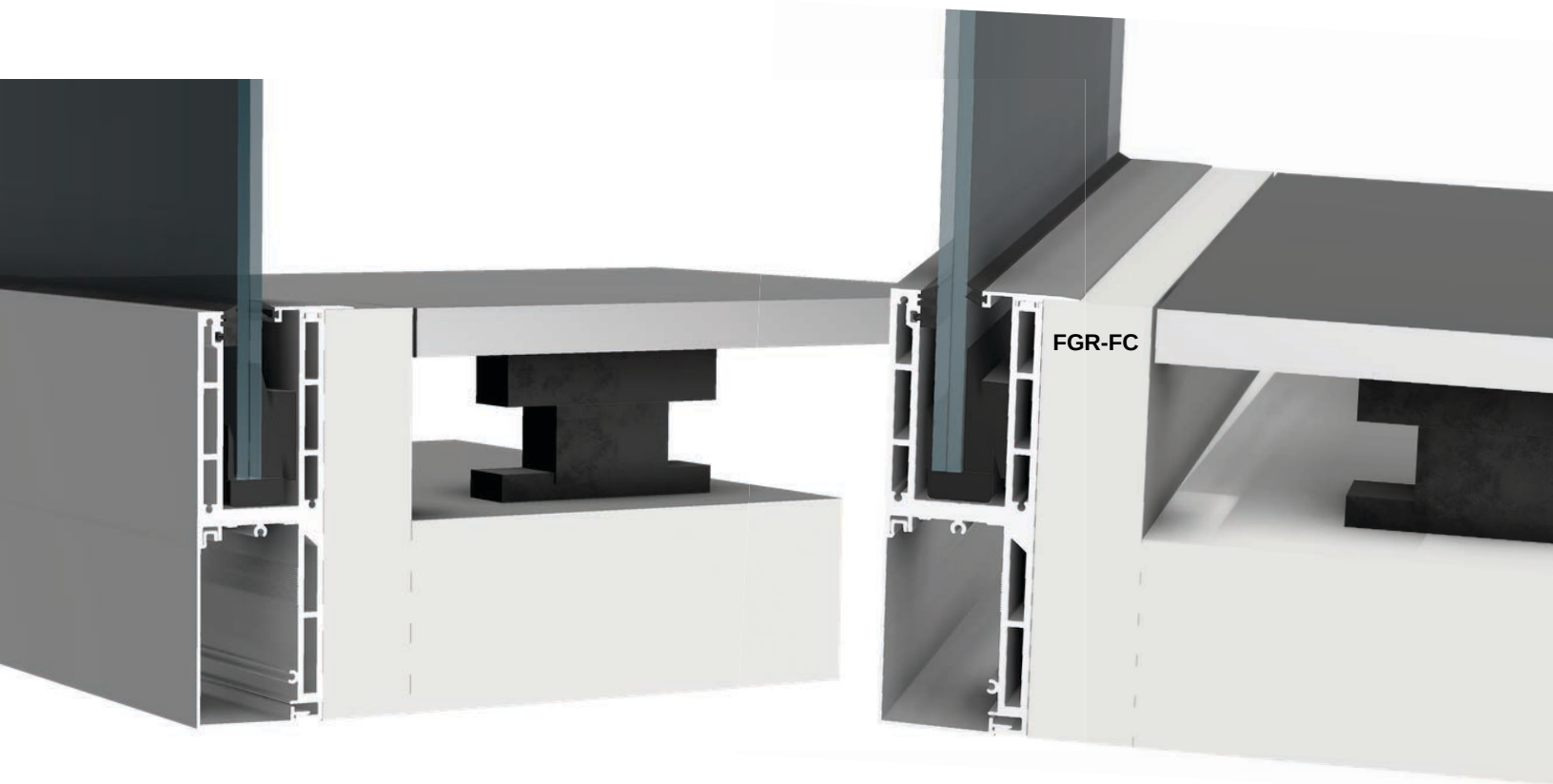






**FGR-1303-Y** used on the outside of the balcony when the upside of the balcony is too narrow to install with a Top Mount **FGR-1300-T** or Side Mount **FGR-1301-S**

Finishing possible with **FGR-PC** (Profile Cover) or **FGR-FC** (Floor Connect)



# FGR-1303-Y

Profiles & acc



**FGR-1301-IX**  
Stainless steel stiff  
Pc

**FGR-1303-Y**  
3kN/m profile  
3m

**FGR-1303-Y-FC**  
Front Cover profile  
3m

**LOB-MID**  
Middle glass support  
Pc

**FGR-LOB**  
Line Out Box for 88,2-88,4-1010,2-1010,4  
Pc

**FGR-FF-15**  
Front Finish profile 15mm  
3m

**FGR-BF-15**  
Back Finish profile 15mm  
3m

**FGR-FF-10**  
Front Finish profile 10mm  
3m

**FGR-1077**  
Outside structural gasket  
50m

**FGR-1078**  
Inside finishing gasket  
100m

**FGR-BF-10**  
Back Finish profile 10mm  
3m

**FGR-FF-05**  
Front Finish profile 5mm  
3m

**FGR-BF-05**  
Back Finish profile 5mm  
3m

**FGR-FFC-05**  
Front Finish Cover profile 5mm  
3m

**FGR-FC**  
Floor Connect profile  
3m

**FGR-1303-Y-OC**  
OUTSIDE CORNER  
Pc

**FGR-1303-Y-CCL**  
Closed Cover Left  
Pc

**FGR-1303-Y-CCR**  
Closed Cover Right  
Pc

**FGR-BFC-05**  
Back Finish Cover profile 5mm  
3m

**FGR-PC**  
Profile Cover  
3m

**FGR-1303-Y-IC**  
INSIDE CORNER  
Pc

# FINISHING PROFILES



**FGR**  
FULLGLASSRAILING

FGR-FF-15

FGR-FF-10

FGR-FF-05

FGR-FFC-05



FGR-FC



FGR-PC



FGR-BF-15



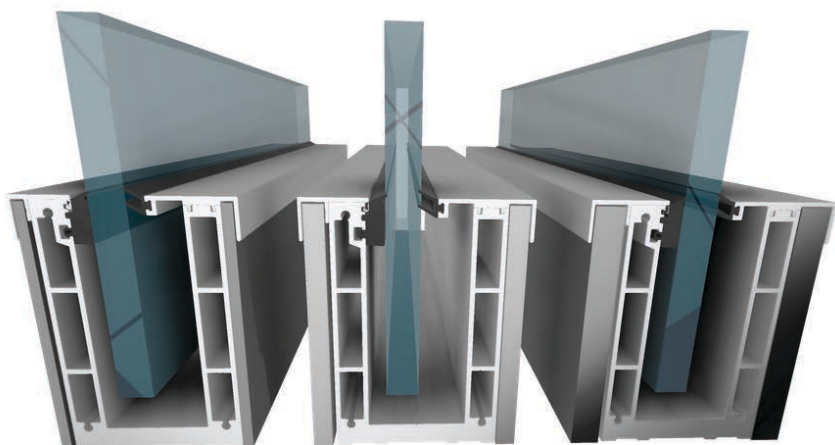
FGR-BF10



FGR-BF05



FGR-BFC-05

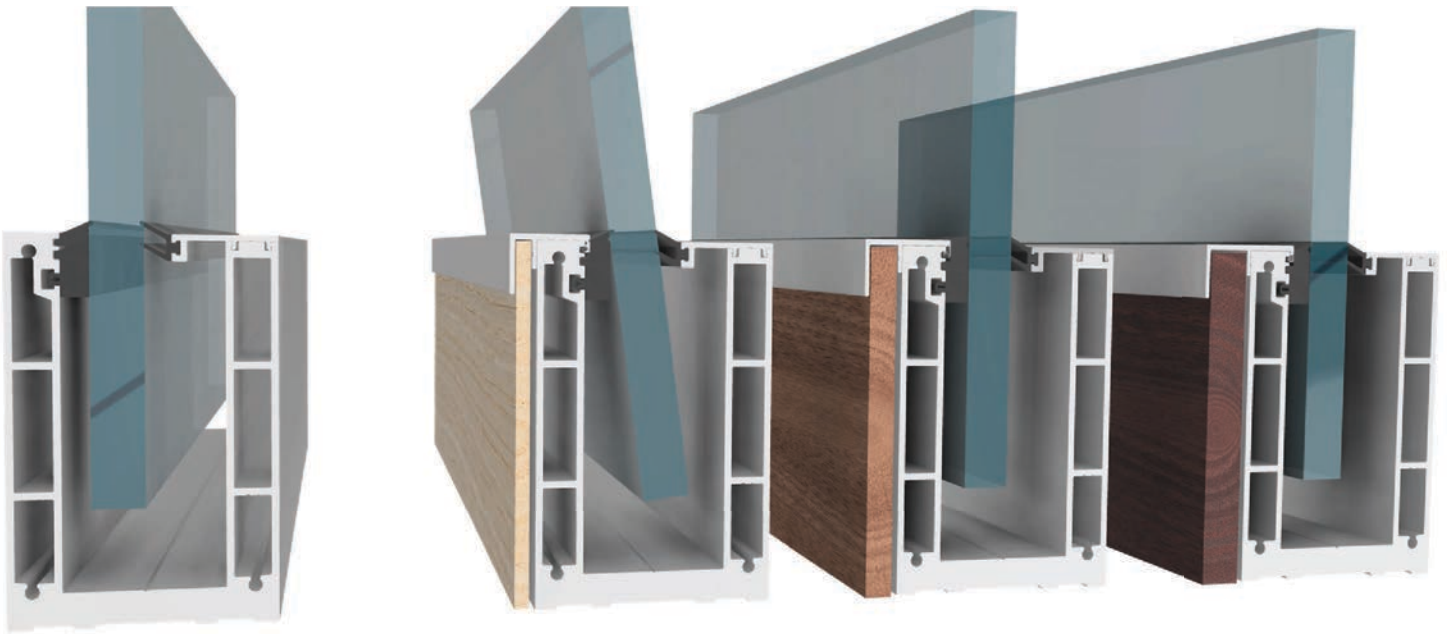


Flexibility is the KEY word.

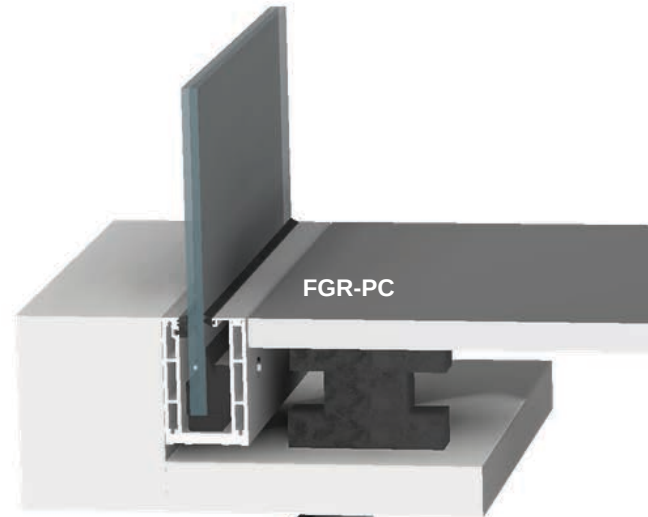
We propose you 10 finishing profiles in order to accomplish the perfect Full Glass Railing of your dreams.

With vertical and horizontal openings from 5-till 15mm, front as back side of the profile, you can find an answer on almost every situation.

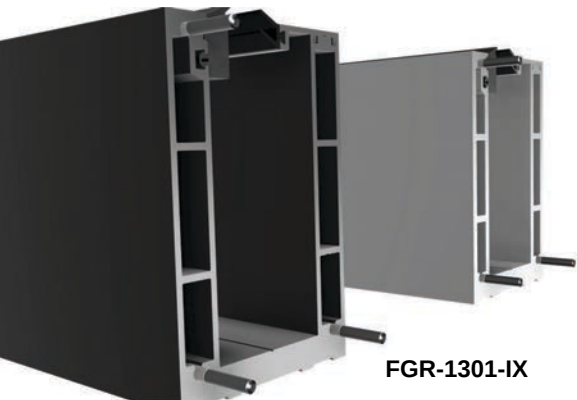
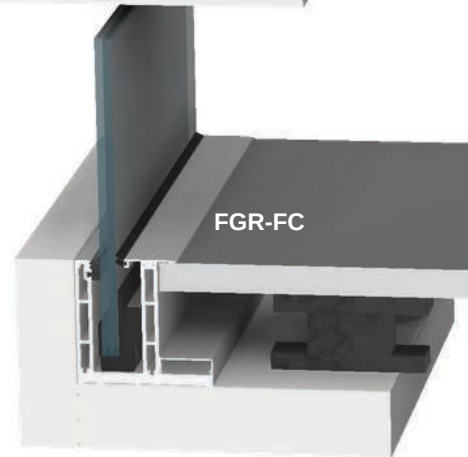




Aluminium pleats, MDF, Trespa or other materials can seamlessly be finished with one of our finishing profiles with opening of 5,10 & 15mm.



Profiles combined with a **FGR-PC** (Profile Cover) or **FGR-FC** (Floor Connect)

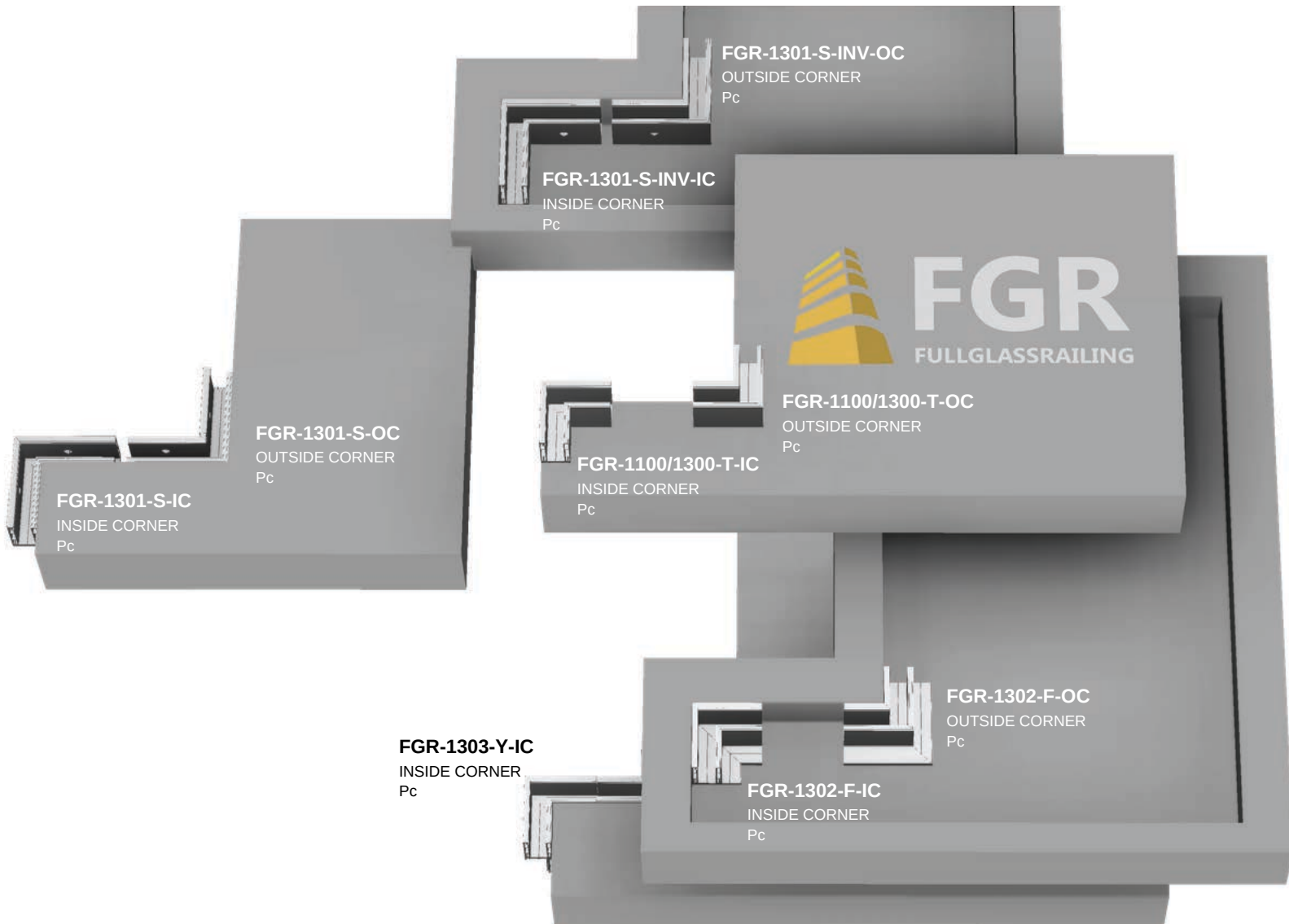


**FGR-1301-IX**

Stainless steel connectors **FGR-1301-IX** to avoid the moving of the profile while anchoring.

# CORNERS

## WELDED CORNERS



## WELDED CORNERS

Welded corners in combination with stainless steel connectors offer not only a perfect finish but they also avoid a loss of time making the perfect angle.

Looking from the balcony to the outside, a corner coming towards us is an inside corner. A corner going away from us is an outside corner.

All references are to be found on the picture above.

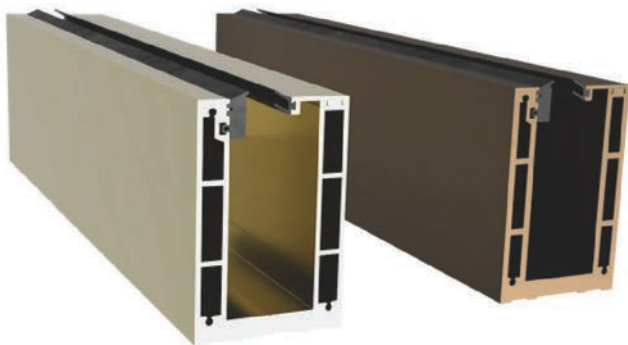
# COLORS



## Anodization

We propose our profiles in Mill finish or in Alu Mat anodization.

Alu Black or other finishes are possible upon request.



C01

Alu Mat



C33

Light Bronze



C33

Middle Light Bronze



C33

Middle Bronze



C34

Dark Bronze



C35

Alu Black

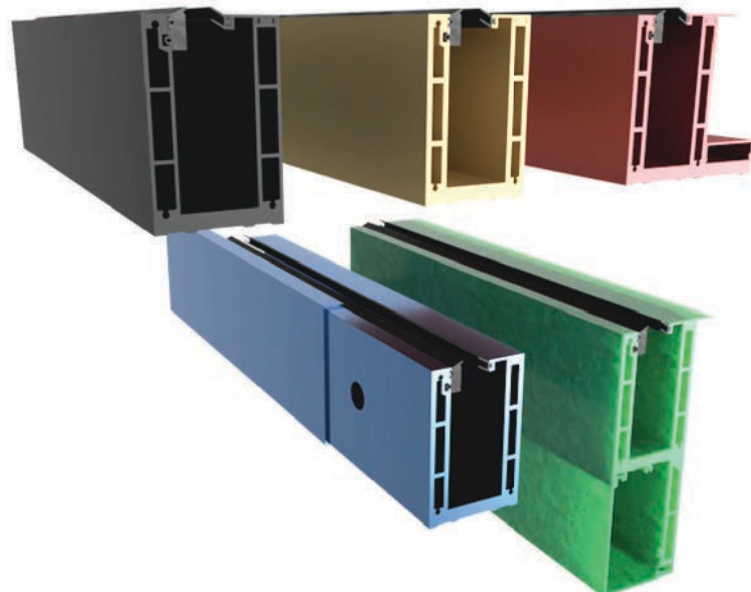


*Kleurkaart Malvé*

## Powdercoating

We powdercoat our profiles with Axalta or Tiger coatings.

We recommend to use textured powdercoating, they are not only mat but also easier to avoid scratches on the painting. Glossy paintings are also possible but more difficult to transport.





# CLEAR VIEW LINE

**FGR-2000**

**RAILING SYSTEM WITH  
VERTICAL CLAMPING OF THE GLASS**

A GLASS RAILING SYSTEM WHERE  
LUMINOUSITY AND WIND PROTECTION PLAY  
AN IMPORTANT ROLE

# CLEAR VIEW LINE

## FGR-2000



Glass railing system with vertical clamping of the glass tested with glass widths of 2500mm with 88.DG41 glass.

The FGR-2000 Range can be used with shooting through glass where the posts are cut on 900mm height and delivered with open covers, specially made for it.

It can also be supplied with posts of 1100mm or another height with closed covers.

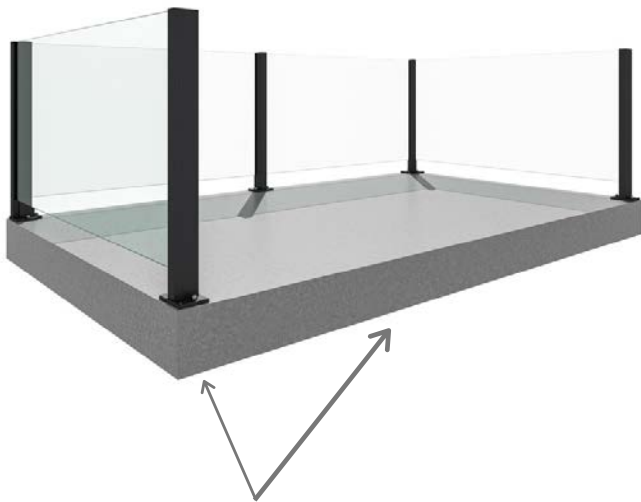
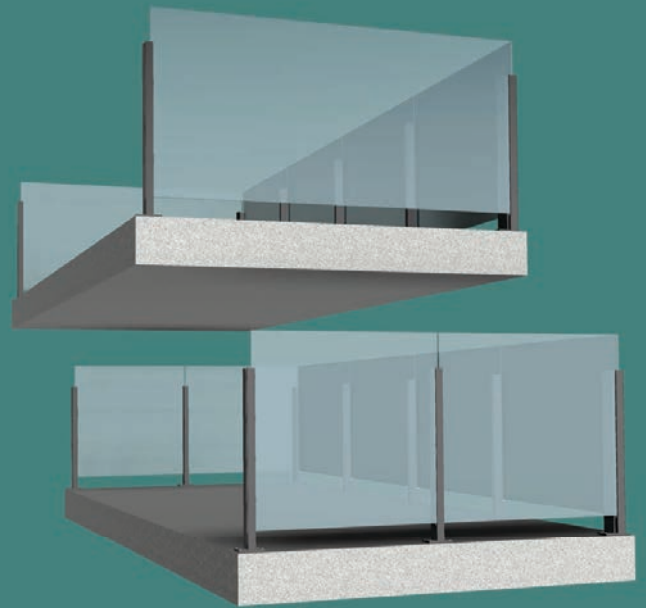


## FGR-2000

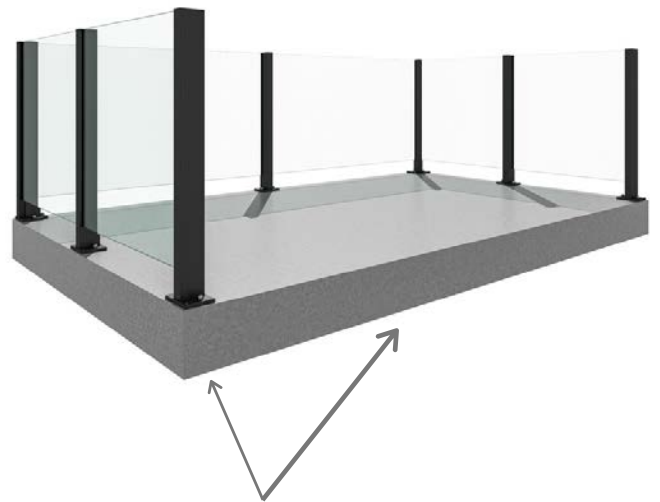
### RAILING SYSTEM WITH VERTICAL CLAMPING OF THE GLASS

With its contemporary design the FGR-2000 Range can take glass panels from 55.2/4 till 88.2/4 (17,52mm).

Herewith the small side of the balcony often can be done in 1 wider glass panel instead of 2 small glass panels which provides an higher esthetic value to your balcony.



Setup **without** mid post  
on the small side of the balcony



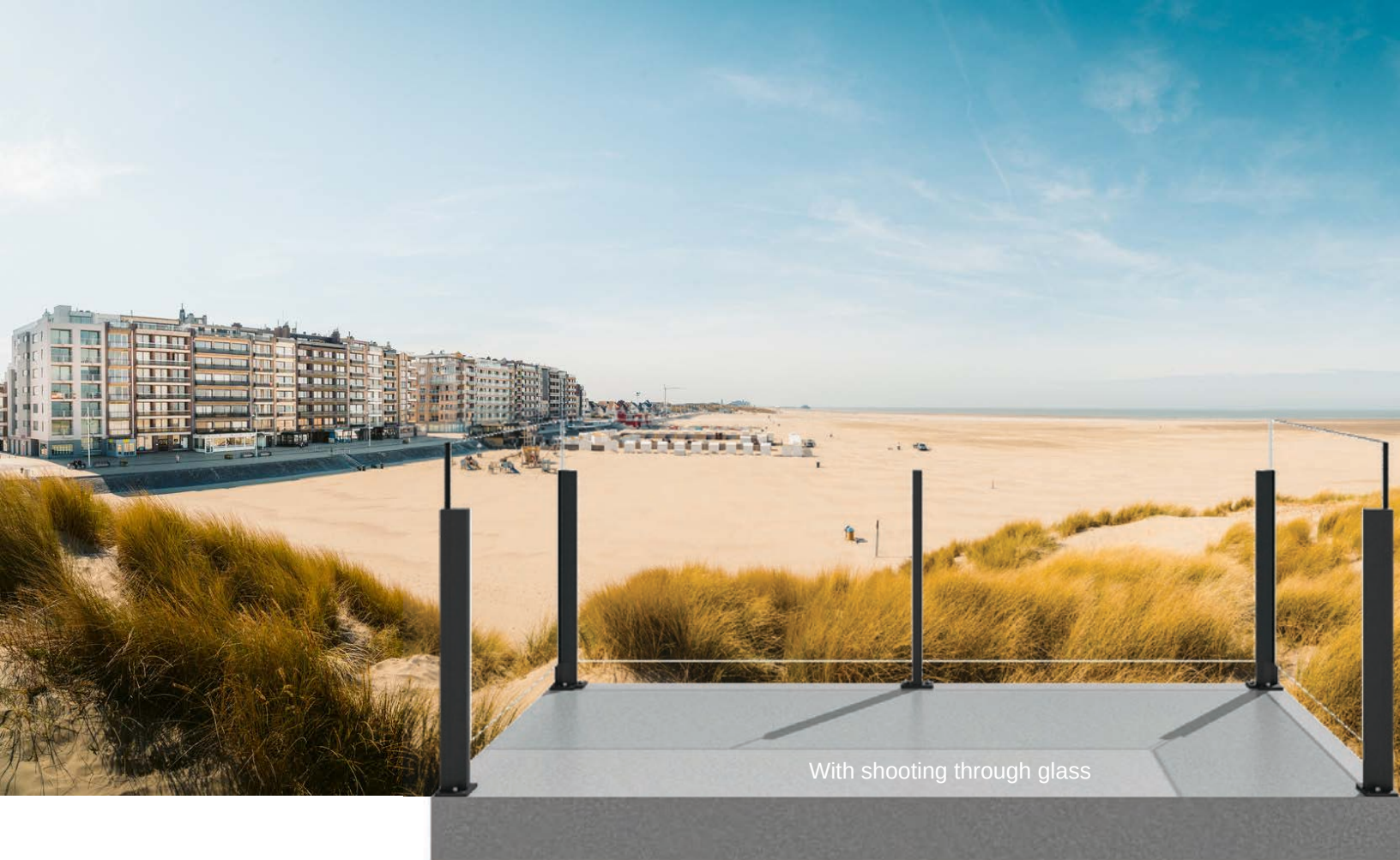
Setup **with** a mid post  
on the small side of the balcony



**FGR-2000**  
Clear View Line

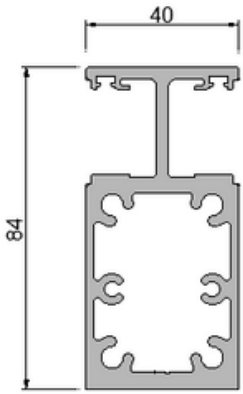
**FGR-3000**  
Window Guard



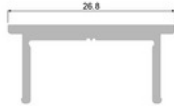


AVAILABLE IN LENGTHS OF 5500MM

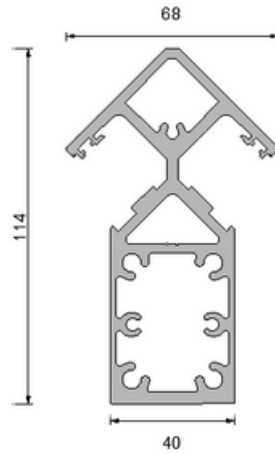
CLEAR VIEW LINE



FGR-2001



FGR-2003



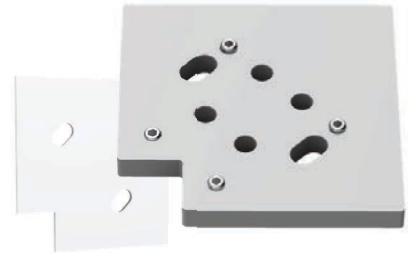
FGR-2002

FGR-2001-T

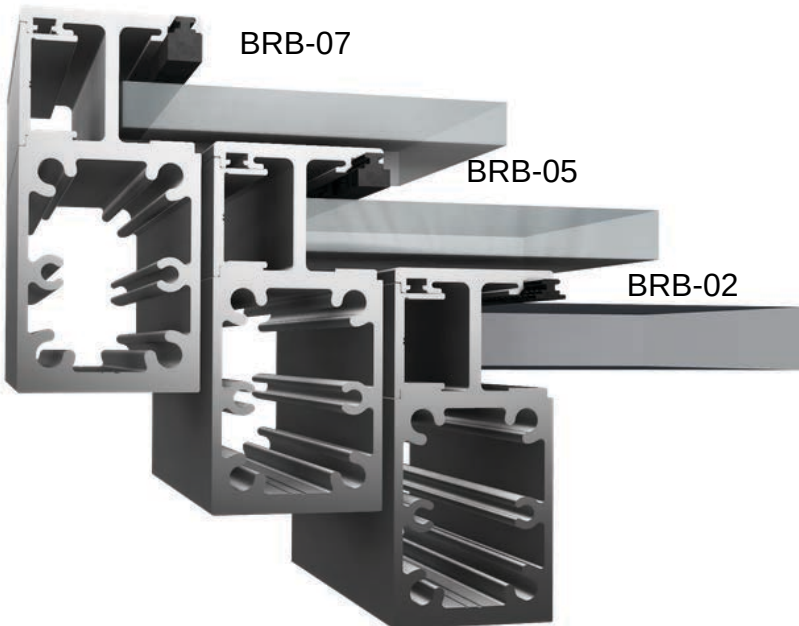


FGR-2001-T-CP

FGR-2002-T



FGR-2002-T-CP



BRB-07

BRB-05

BRB-02



BRB-07 - Rol / Rouleau - 300m  
Glass 55.2/4  
In combination with filling gasket 5mm



BRB-05 - Rol / Rouleau - 300m  
Glass 66.2/4  
In combination with filling gasket 5mm



BRB-02 - Rol / Rouleau - 300m  
Glass 88.2/4  
In combination with filling gasket 4mm

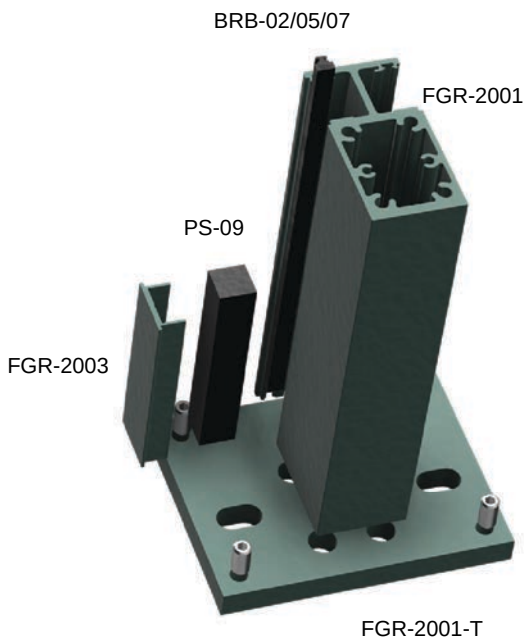
# CLEAR VIEW LINE

## AVAILABLE IN READY MADE

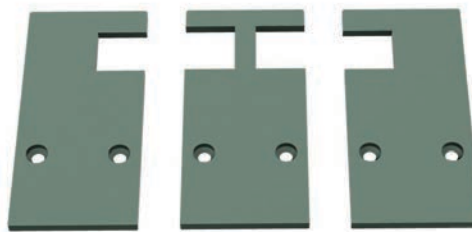
If you give us the desired height, shooting through glass or not, glass thickness, color and the amount of posts you would like as ;

- End post
- Mid post
- Corner post

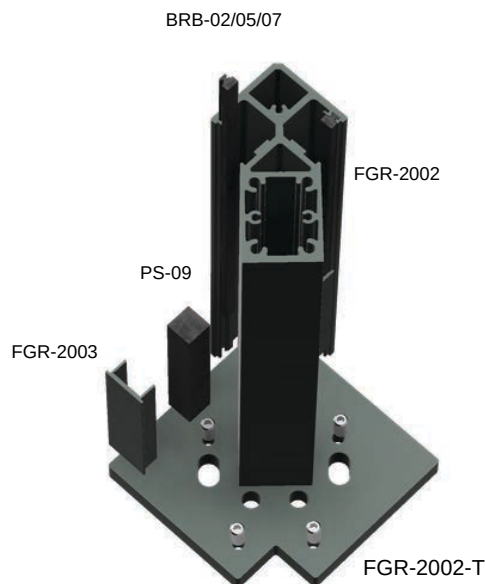
We can provide you with a ready made package which allows you to install the posts immediately and to secure with the glass panels.



FGR-2001COR6/8 FGR-2001CO6/8 FGR-2001COL6/8



FGR-2001CC



FGR-2002COR 6/8 FGR-2002CO6/8 FGR-2002COL 6/8



FGR-2002CC





# Colors



## Anodization

Our profiles are available in Mill finish & Alu Mat anodization.

Special colors upon request.

C01	C33	C33	C33	C34	C35
Alu Mat	Light Bronze	Middle Light Bronze	Middle Bronze	Dark Bronze	Alu Black
					

*Kleurkaart Malvé*

## Powdercoating

We powdercoat our profiles with Axalta or Tiger coatings.

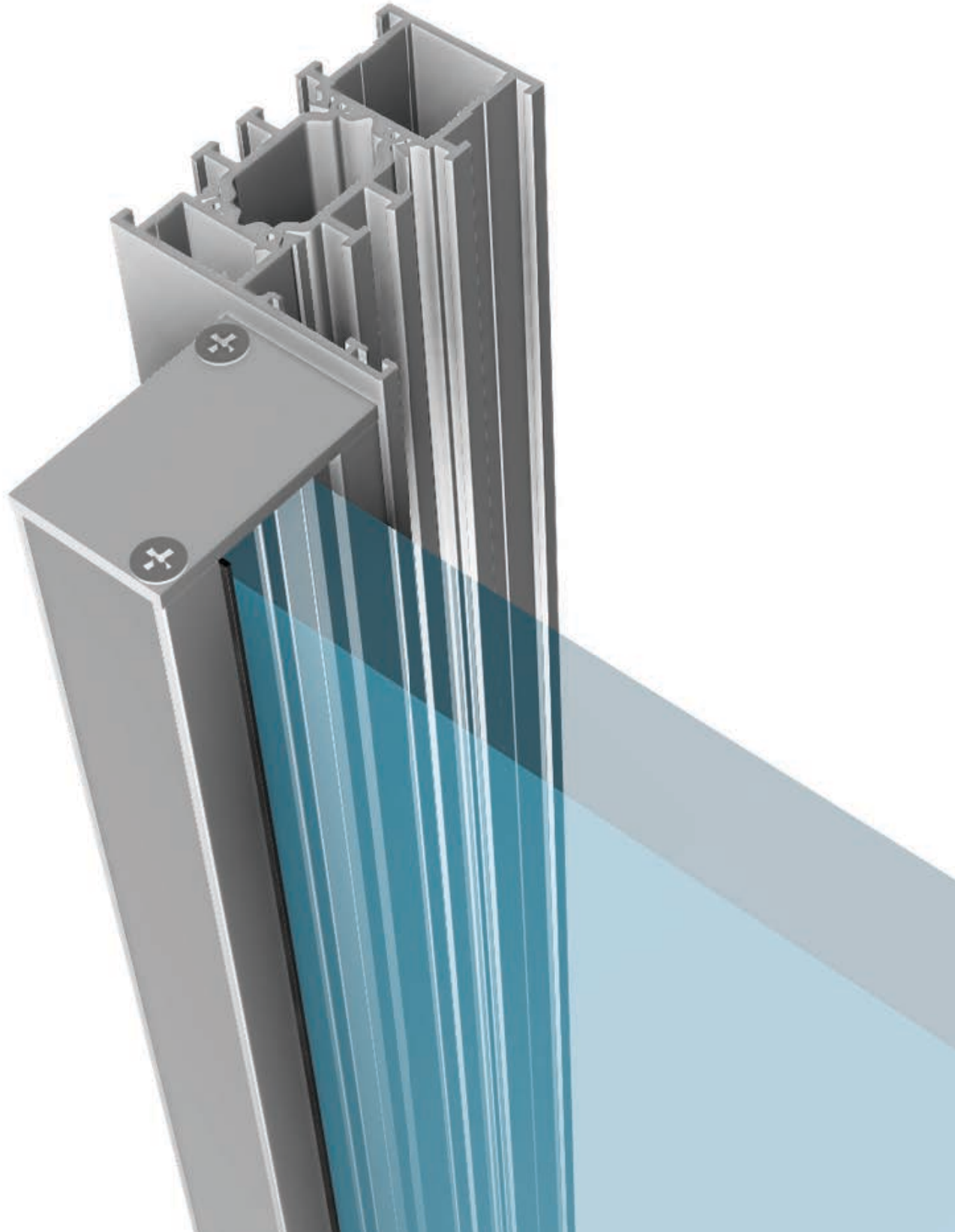
We recommend to use textured powdercoating, they are not only mat but also easier to avoid scratches on the painting. Glossy paintings are also possible but more difficult to transport.





# WINDOW GUARD

FGR-3000





**FGR**  
FULLGLASSRAILING





# WINDOW GUARD



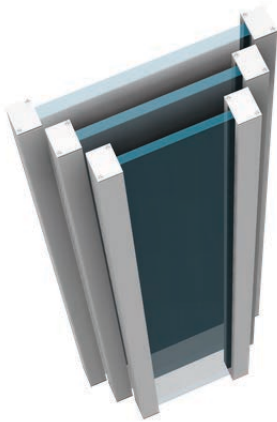
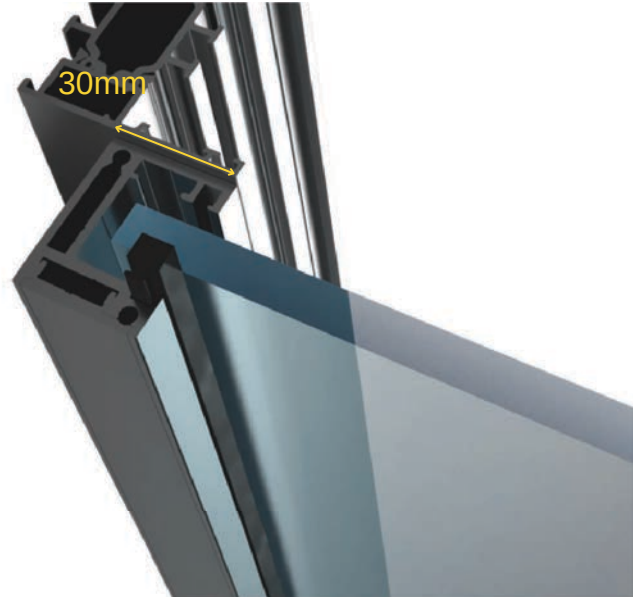
## FGR-3000

### RAILING SYSTEM TO GUARD YOUR WINDOW

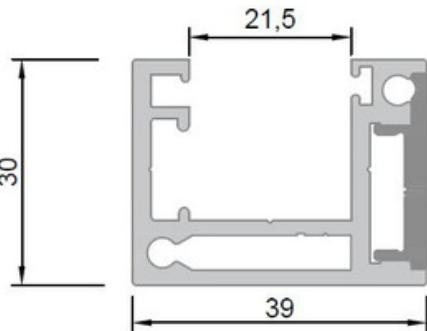
Residences without balcony, but with a single pivoting window or a sliding window, wanting to let a maximum light in can use our WINDOW GUARD railing system.

We have following range to propose ;

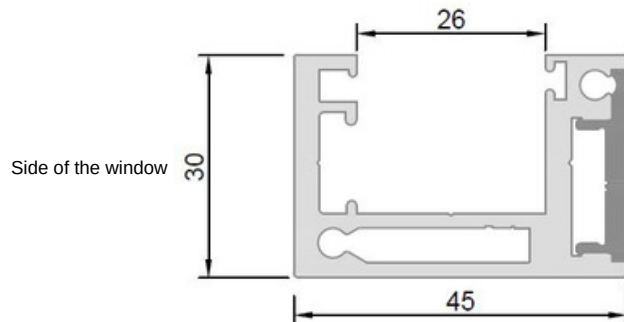
1. FGR-3100 for glass widths up to 66.4
2. FGR-3300 for glass widths up to 1010.4



Profiles available in ready made sets  
or in lengths of 6200mm



FGR-3100



FGR-3300

# WINDOW GUARD

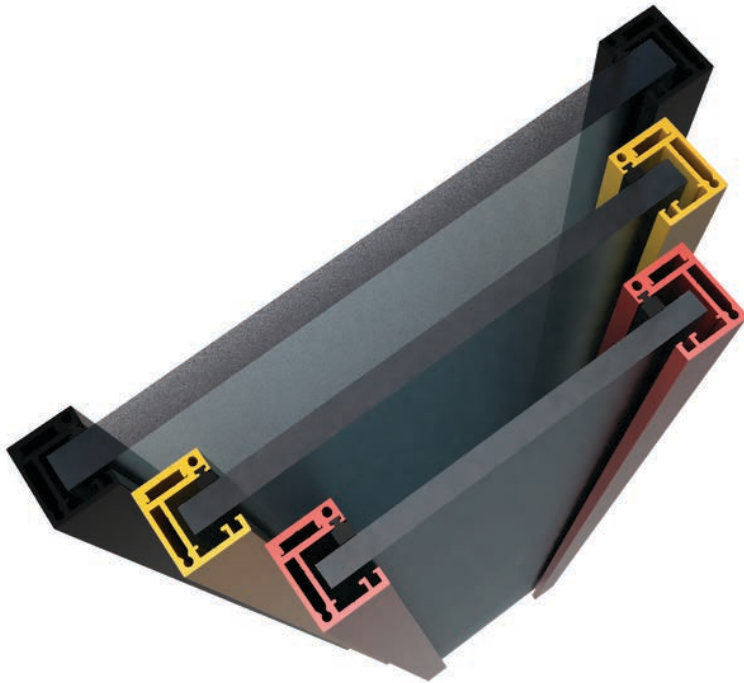
## FGR-3000

### FALL-THROUGH PROTECTION

Our FGR-3000 Range is available in ready-made sets for immediate installation.

Depending on the desired height en glass thickness we will prepare you a ready made set you can cost efficiently install on the window or on the left and right side of the window in the facing brick, if possible to do so.

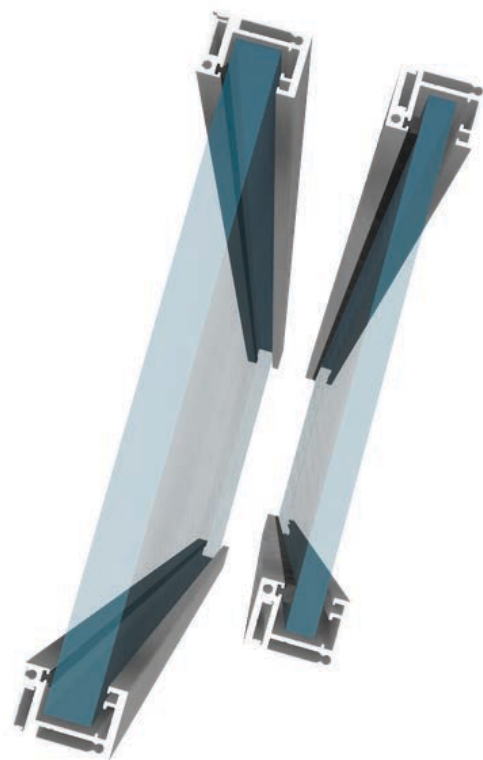
Available in Tiger en Axalta powdercodes.



## WINDOW GUARD

Due to its small back of 30mm, easy to install on any aluminium or PVC window without spoiling the view from inside the room.

Anchoring the **WINDOW GUARD** on the left or right side from the window, in the facing brick or any other element, is possible but you have to check if the needed stability is available to do so.

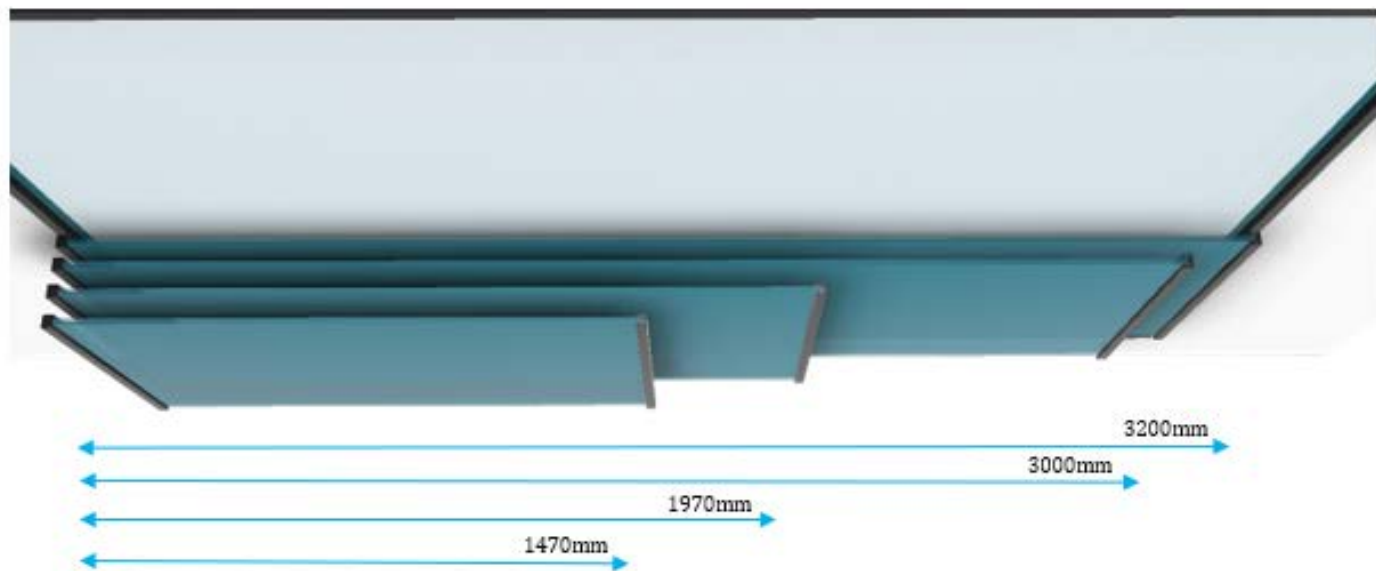




Overview of tested measures with a vertical clamping of the glass.

# WINDOW GUARD

## FGR-3000



All tested configurations were vertically anchored on the window according to following scheme, 3 anchoring points over a length of 1100mm.

Anchoring done by M6 bolts and tied up behind the aluminium window profile.

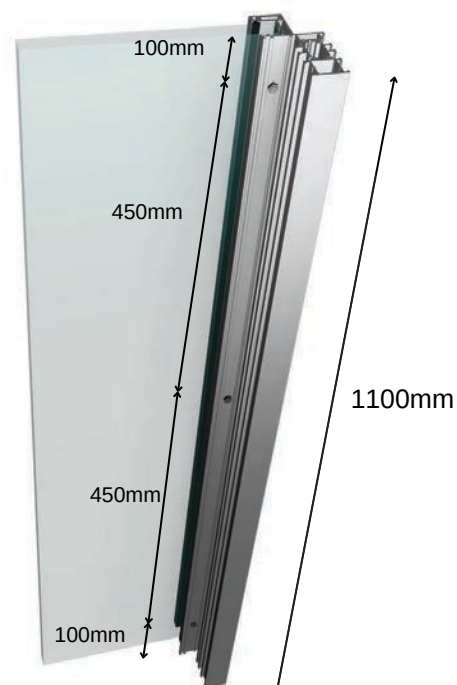
### Tested combinations

**FGR-3300** - 3200mm - Float glass 1010.2 - Stiff interlayer

**FGR-3300** - 3000mm - Float glass 88.2 - Stiff interlayer

FGR-3100 - 1970mm - Float Glass 66.2 - Stiff interlayer

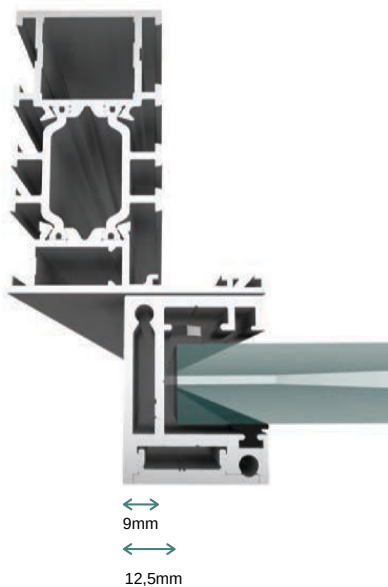
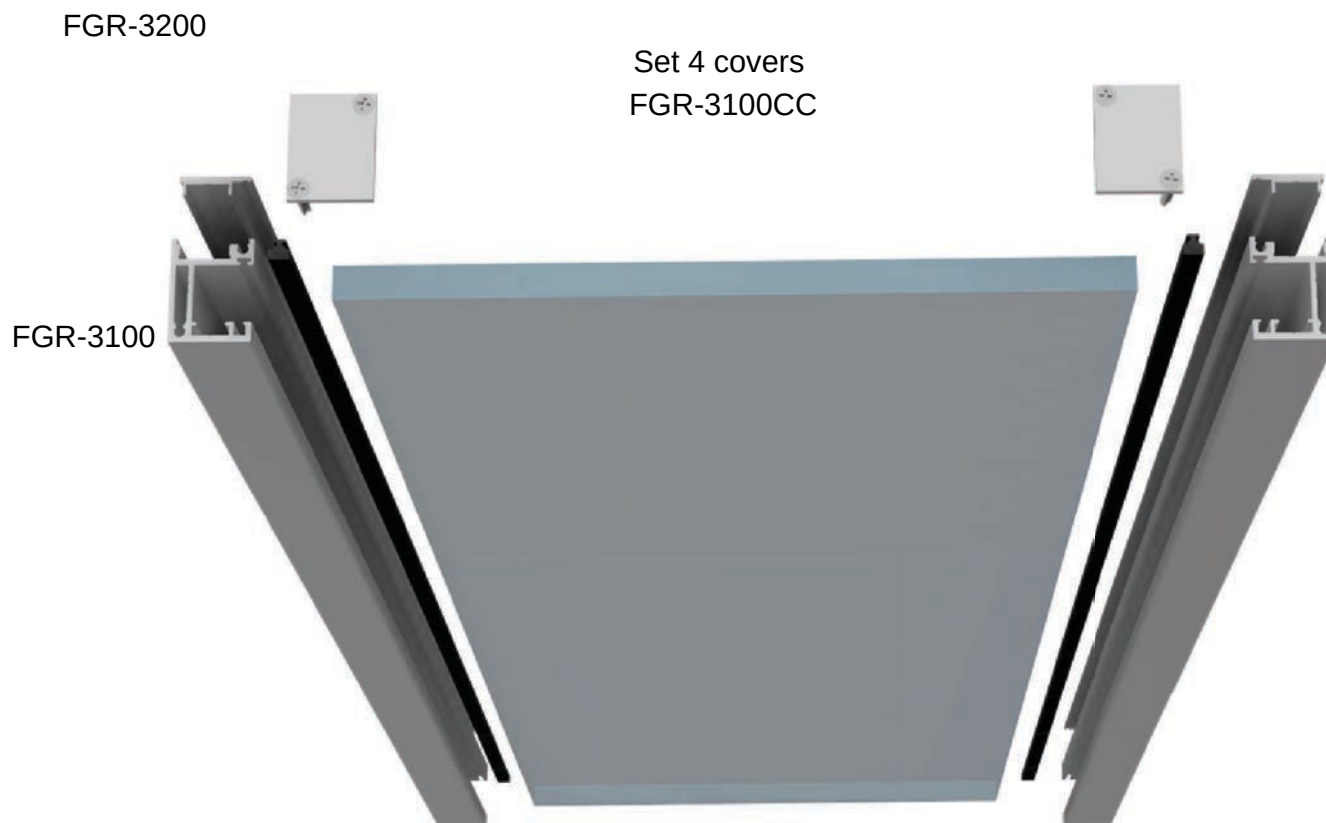
FGR-3100 - 1470mm - Float Glass 55.2 - Stiff Interlayer



## Parts of a ready made set

# WINDOW GUARD

FGR-3100



### Which deduction do I have to take into account when ordering the width of my glass ?

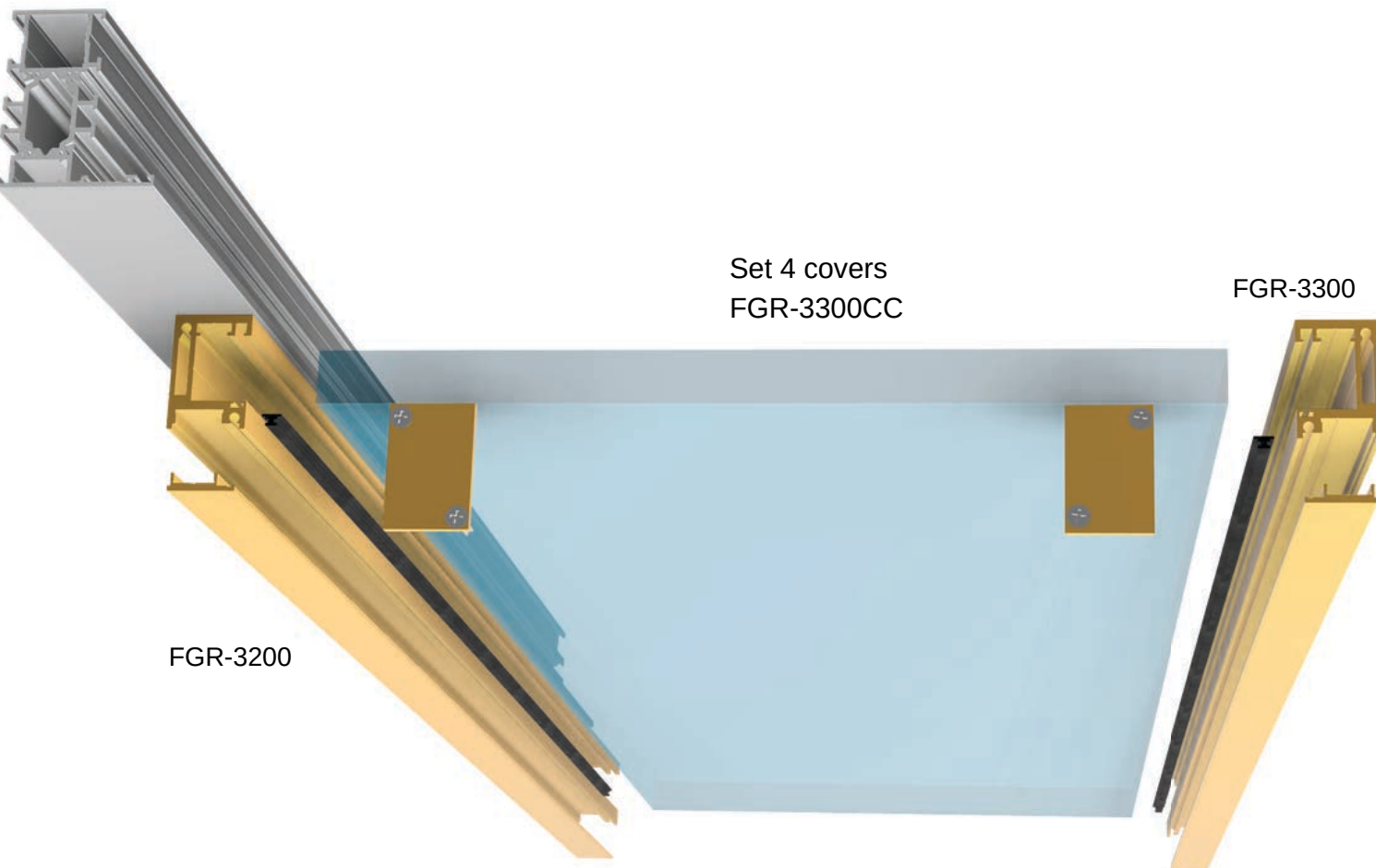
When measuring on both outside edges of the **WINDOW GUARD** you can count 12,5mm to deduct from each side, so 25mm in total.

An oversize of 1000mm means a glasspanel width of 975mm to order.

## Parts of a ready made set

# WINDOW GUARD

FGR-3300



↔  
9mm  
↔  
12,5mm

### Which deduction do I have to take into account when ordering the width of my glass ?

When measuring on both outside edges of the **WINDOW GUARD** you can count 12,5mm to deduct from each side, so 25mm in total.

An oversize of 1000mm means a glasspanel width of 975mm to order.



**RAILINGCOMPANY<sup>®</sup>**  
**MADE IN BELGIUM**

---

Rijksweg 3  
2870 Puurs-Sint-Amands

T 0032/ 3 434 00 34

[info@railingcompany.eu](mailto:info@railingcompany.eu)  
[www.railingcompany.eu](http://www.railingcompany.eu)